

STS Source Transfer Switch

Installation and user manual

English

Français

Deutsch

Italiano

Español

Nederlands

EATON

Powering Business Worldwide

English	1
Français	15
Deutsch	29
Italiano	43
Español	57
Nederlands	71

Contents

Warning	2
Presentation	
Contents of package	3
Storage	3
Recycling of packing	3
Function	4
Characteristics	4
Overall views	5
Installation	
Setting the input voltage	7
Installation	8
Connections	9
Communication	10
Operation	12
Troubleshooting	13
Appendices	
Glossary	14
Index	14

All EATON products are protected by patents. They implement original technology which is not available to other competitors of EATON.
To take evolving standards and technology into account, the technical characteristics contained in this document are not binding unless confirmed by EATON.
This document may be reproduced only with the consent of EATON. Authorised copies must be marked "EATON STS installation and user manual nr 5102761700".

Warning

Thank you for selecting an EATON product to protect your equipment. You have chosen a **STS** to ensure the high availability of your IT systems, i-e more than 1500 transferts between the preferred source and the alternate source.

This **STS** benefits from a 2 year warranty. This warranty is valid if you comply with the following specifications (*):

- Only the computational load can be connected to the **STS**, all the others types of loads (resistive, inductive or crest factor >3:1) are not covered by the warranty
- The length of the cable between the source (UPS or transformer) and the **STS** must be at minimum 50 m, with a maximum cross-section of 6 mm². For that reason the Canalis busbar type does not comply with the **STS** specifications.
- The 2 sources must be synchronized and you should prevent the phase/neutral inversion. A desynchronisation (signaled by the "Site wiring fault" indication LED) between the two phases of the sources is a cause of premature ageing of the **STS** components.

(*) Don't concern sources and UPS below 6 KVA.

Contents of package

The STS package contains the following (see figure 1):

- STS module,
- installation and user manual (this document),
- four adhesive footpads,
- four M6 bolts with four cage nuts,
- two communications cables,
- two securing systems for equipment power cords. (STS 16 only - 66028)

Storage

If the STS module is stored prior to installation, it should remain in the original packing in a dry place (storage temperature range: -40 °C to +70 °C).

Recycling of packing

Packing materials must be disposed of in compliance with applicable laws and regulations.

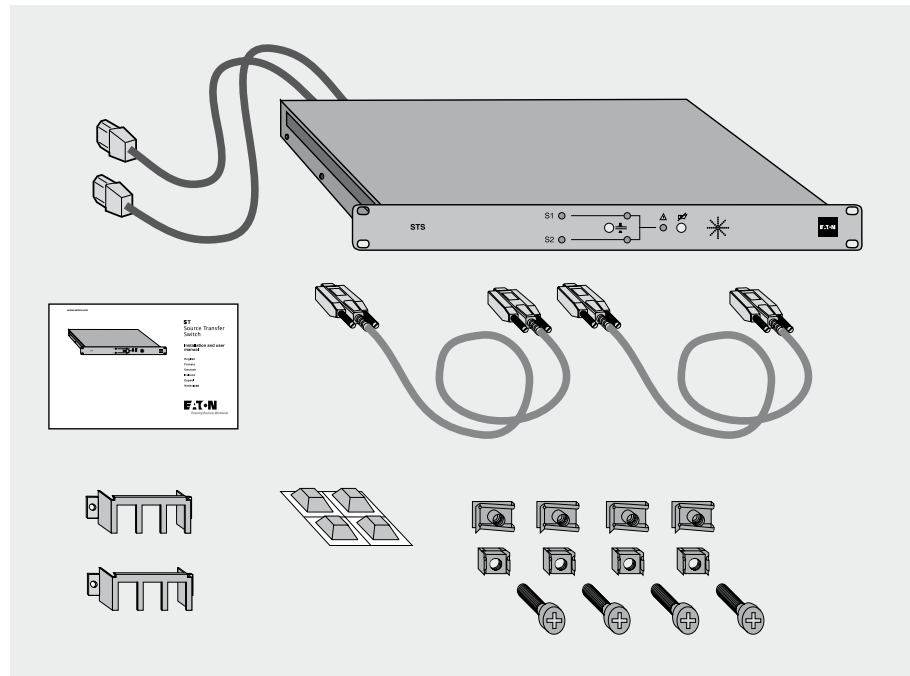


Fig. 1

Presentation

Function

EATON developed STS to guarantee the uninterrupted operation of your sensitive equipment. The **STS** source transfer switch is a simple and effective solution to manage the redundancy provided by two independent power sources.

STS handles the automatic or manual transfer of your loads between two independent power sources without interrupting the supply of power (< 6 milliseconds). Either of the two sources may be designated as the preferred source with the other becoming the alternate source. In the event of a failure, transfer from one to the other is automatic and instantaneous.

Automatic transfer to the alternate source takes place if the voltage of the preferred source goes outside a tolerance of 12 % above or below the nominal value. Return to the preferred source is automatic when the voltage returns within the ± 12 % tolerance range.

To provide a maximum level of protection for the connected sensitive equipment, both power sources should be on-line type UPSs. However, the **STS** module can also be supplied by one UPS and another type of source, or by two non-UPS sources providing a sinusoidal output (AC system, engine generator set, etc.).

Characteristics

The **STS** module has the following characteristics:

- 208 / 220 / 230 / 240 V versions (input voltage): **STS 16**,
- 120 V version (input voltage): **STS 1400**,
- input current: 16 A (**STS 16**), 12 A (**STS 1400**),
- protection by thermal circuit breakers (16 A or 12 A depending on the version),
- threshold before transfer from preferred to alternate source: ± 12 %,
- maximum operating temperature: 35 °C,
- dimensions: 1U x 19 inches (44.45 mm x 482.6 mm);
- weight: 5 kg.

Overall views

Figure 2 shows in detail the front and rear panels of the various STS versions.

Key to figure 2:

① voltage indication LEDs for the two power sources S1 and S2:
green LED: voltage OK, within tolerances,
red LED: voltage NOK, outside $\pm 12\%$ tolerances,

② button used to select the preferred source:

■: source S1 is the preferred source,

▬: source S2 is the preferred source,

③ status LEDs for the source currently supplying power:

OFF: source not used.

green: preferred source supplying power,

yellow: alternate source supplying power,

Note: only one of these LEDs is ON at a time,

④ red LED indicating a **STS** fault,

⑤ buzzer OFF pushbutton,

⑥ buzzer,

⑦ connection cables between the module and the two power sources S1 and S2,

⑧ connection sockets for the sensitive equipment.

● **STS 16:** 6 IEC-type sockets 10 A and 1 IEC-type socket 16 A,

● **STS 1400:** 6 NEMA-type sockets,

⑨ output protection circuit breakers on **STS 16**,

⑩ SUB-D 9-pin connector, for communication (UPS S1 type) from source 1,

⑪ SUB-D 9-pin connector, for communication (UPS S2 type) from source 2,

⑫ SUB-D 9-pin connector, for outgoing communication (Basic type),

⑬ SUB-D 9-pin connector, for outgoing communication (STS COM type, i.e. dry contacts),

⑭ **STS** input voltage selector (European versions),

⑮ protection circuit breakers on the inputs from the two sources,

⑯ "sources out of synchronisation" indication LED.

Presentation

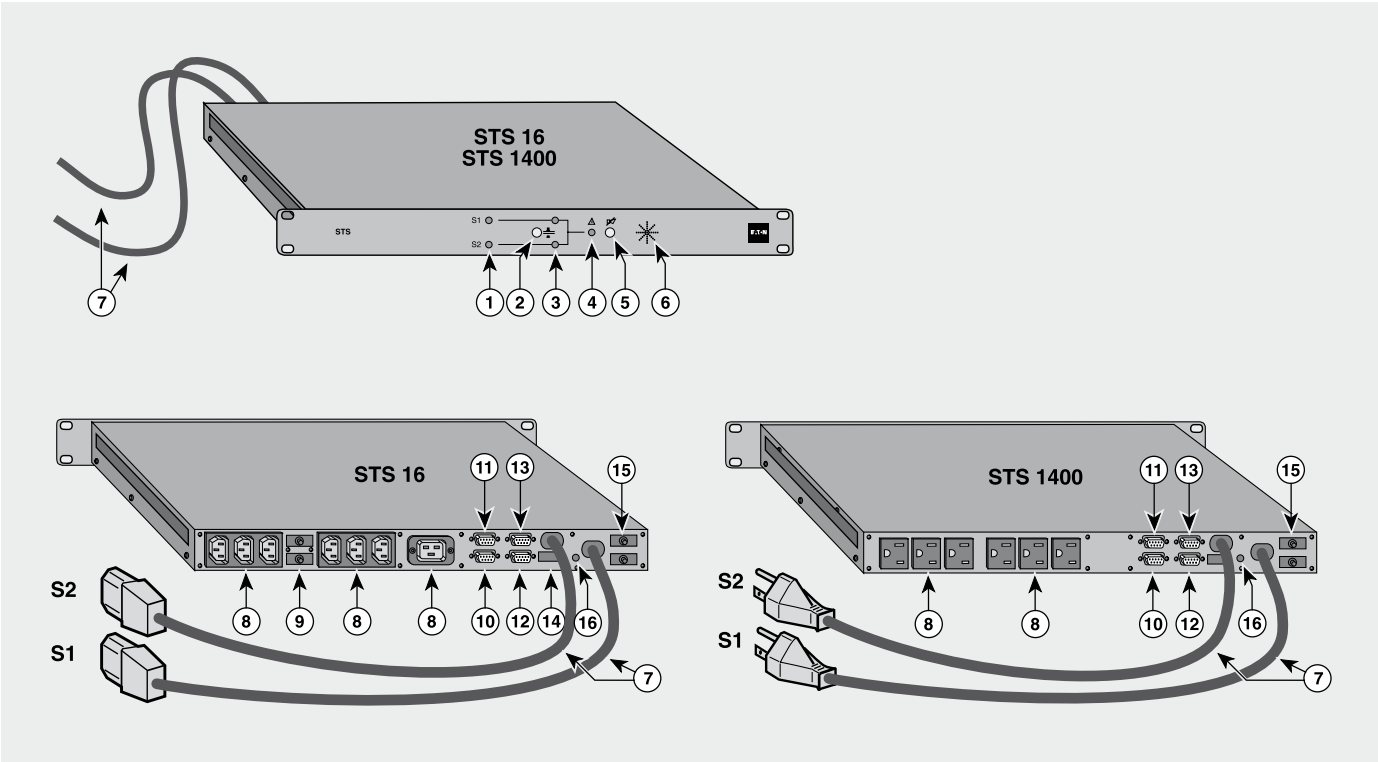


Fig. 2 : front and rear panels of the STS modules

Setting the input voltage

Before making any connections, make sure that the sources selected to supply the **STS** are compatible with its characteristics.

STS 16: 208 V - 220 V - 230 V - 240 V.

STS 1400: 120 V.

The factory input voltage setting for **STS 16** is 230 V. If necessary, set the voltage to another value (208 V, 220 V, 230 V or 240 V) using the voltage selector **14** (see figure 3).

In the event of an electrical fault, a circuit breaker on each of the source inputs protects the STS module.



The voltage selector **14** may be used only when the STS module is de-energized, i.e. power cables **7** not connected to the sources.

Once the module has been correctly set up, connect the two power cables **7** to the two sources.

To facilitate the upstream connection from the **STS 16** to a FR or Schuko socket, EATON provides, as option, a 2 power cable kit IEC C 19/FR-Schuko male inlet, 1,90 m length whose part number is 66397.

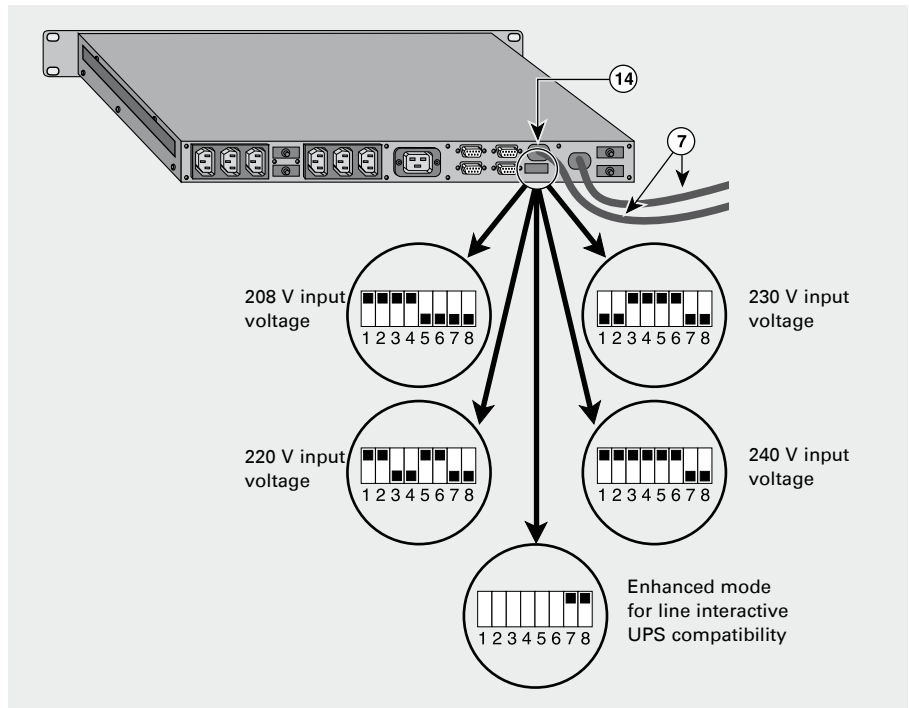


Fig. 3

Installation

Rack mounting

Figure 4 shows how to install the **STS** module in a 19-inch bay using the four M6 bolts and the cage nuts positioned at the desired height in the cabinet uprights.

The module is not as wide as the bay and therefore does not obstruct the flow of air.



If the temperature inside the bay can rise above 35 °C, ventilation is required. If this is not possible, the STS module should be installed outside the bay.

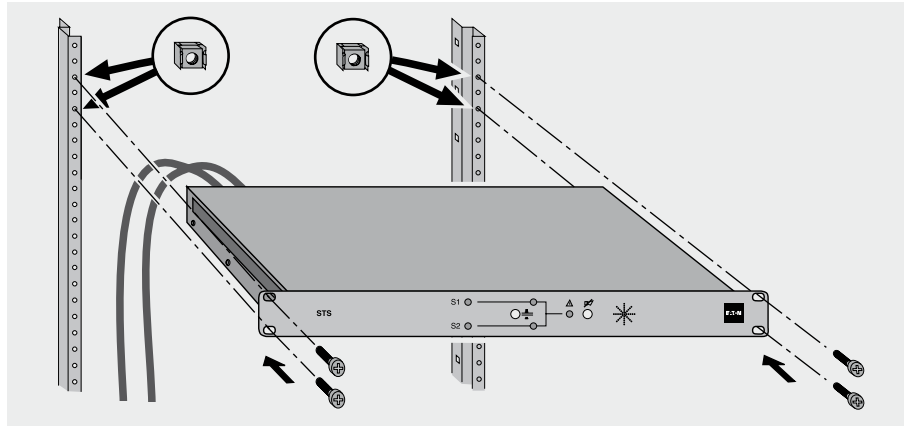


Fig. 4

On a flat surface

Figure 5 shows how to attach the adhesive footpads under the **STS** module for installation on a flat surface.

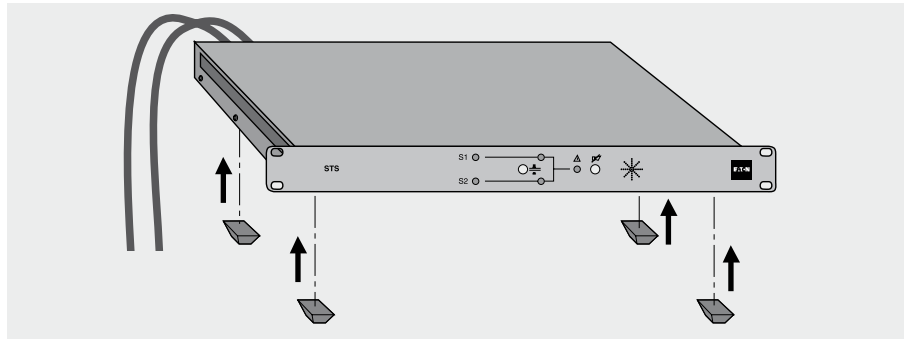


Fig. 5

Connections

Connect the power cables ⑦ to the two electrical sources (S1 and S2) supplying STS.

Connection to UPSs

Connect the power cables ⑦ to one of the output sockets on each UPS.
STS is energized as soon as one of the sources (S1 or S2) is in operation.



The UPSs must have the same characteristics (power rating, autonomy) and be of the "ON-LINE double conversion" topology.
In the event of redundancy achieved using two "Evolution" type UPSs, consult us.

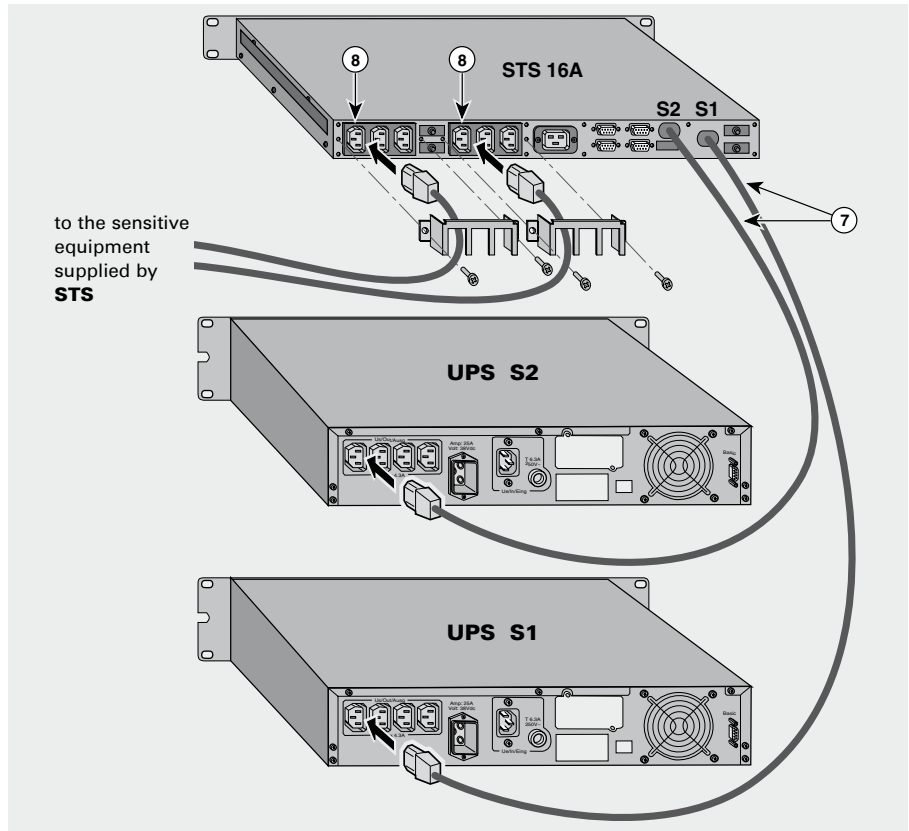


Fig. 6

Installation

Communication

Use of the communications ports on the **STS** module is optional and not required for correct operation of the module.

STS is equipped as standard with a Basic communications port for incoming data from both sources S1 and S2 (both UPSs must have a free Basic port), as well as with an STS COM communications port.

Basic communication

For a High Availability Pack configuration, the Basic **STS** communications port receives the data from both UPS sources S1 and S2. To activate the port, it is necessary to connect the UPS S1 and UPS S2 communications ports on the module to the Basic communications ports on the UPSs S1 and S2, using the cables supplied with **STS** (see figure 7).

The Basic port of the **STS** always forwards the status information provided by the Basic port of the UPS currently supplying the equipment.

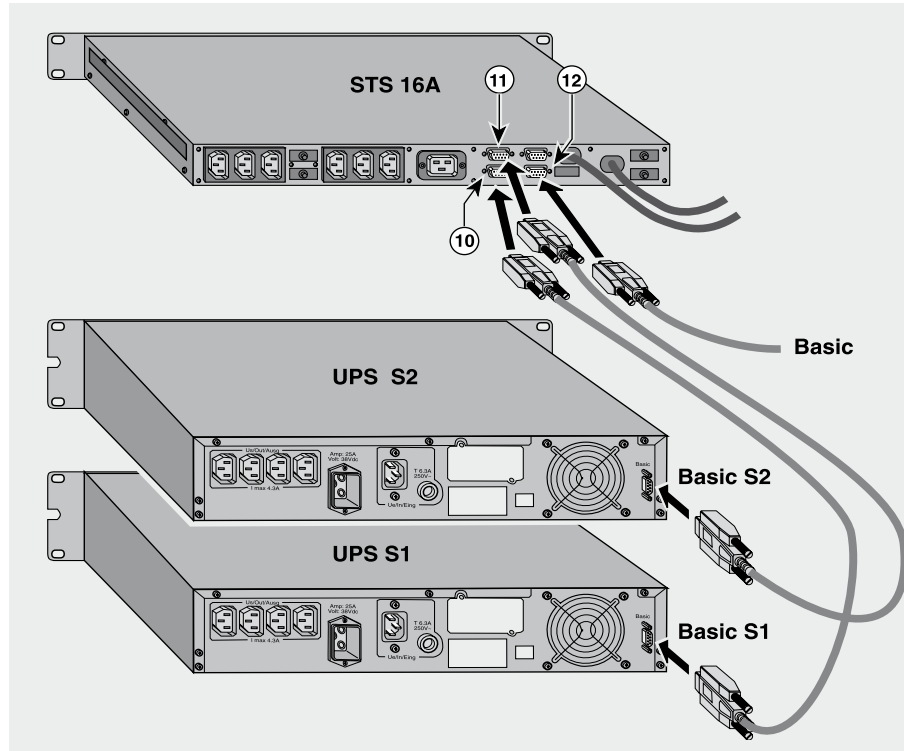


Fig. 7

Installation

The pin-out of the Basic **STS** port ⑫ is the following:

- pin 1 – frame earth,
- pin 4 – normal operation,
- pin 5 – common,
- pin 6 – operation on bypass,
- pin 7 – low battery shutdown warning,
- pin 8 – operation on inverter,
- pin 9 – operation on battery.

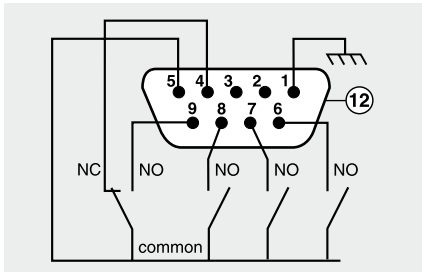


Fig. 8

UPS with "Protocol Interface" (option)

This option converts Basic type information into the RS232 serial protocol. It is then possible to use the administration and system shutdown capabilities of **Solution Pac** software.

MultiSlot (optional)

When the **MultiSlot** option is installed, the **STS** and the two UPSs act as a one. **MultiSlot**, equipped with two MetaUPS acquisition cards, concentrates the data coming from the U-Talk ports on the UPSs and from the STS COM port on **STS**. Communication with the protected systems is optimized through use of a U-Talk, J-Bus or SNMP card.

In this case, the protected application will shutdown only when all available energy has disappeared, i.e. the batteries on both UPSs have been depleted. See the **MultiSlot** user manual for information on connections.

STS COM communication

This communications port ⑬ supplies status information on **STS**.

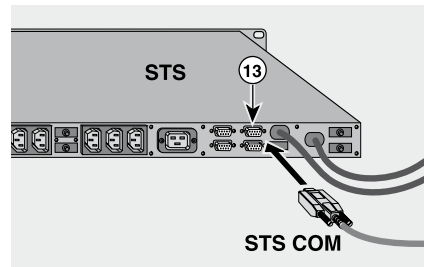


Fig. 9

Pin-out of the STS COM port:

- pin 1 – frame earth,
- pin 4 – source S2 preferred,
- pin 5 – common,
- pin 6 – source S1 within tolerances,
- pin 7 – source S2 within tolerances,
- pin 8 – no fault in STS,
- pin 9 – source S1 preferred.

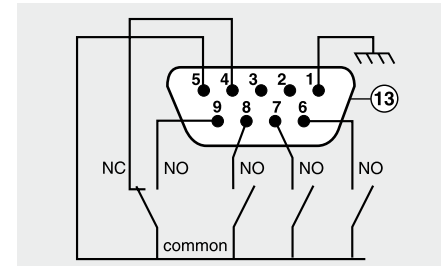


Fig. 10

Breaking capacity of relays:

V max = 30 V

I max = 100 mA

NO = normally open,
NC = normally closed.

Operation

It is assumed here that source S1 is the preferred source (button ② in the up position).

The LEDs ① indicate the voltage status of the sources S1 and S2.

- green indicates that the voltage is within tolerances ($\pm 12\%$ of the rated voltage).
- red indicates that the voltage is outside tolerances.

The LEDs ③ indicate the operating status of the sources S1 and S2.

- OFF: source not used.
- green: preferred source supplying power.
- yellow: alternate source supplying power.

The applications are supplied with power if either of the two LEDs is ON.

LED ④ is red if an internal fault has occurred in the **STS** module. Contact the EATON after-sales technical support. In addition to the LEDs, the **buzzer ⑥**

- source S1 or source S2 outside tolerances;
- internal fault in the **STS** module.

Once the problem has been identified, the buzzer may be turned off by pressing button ⑤.

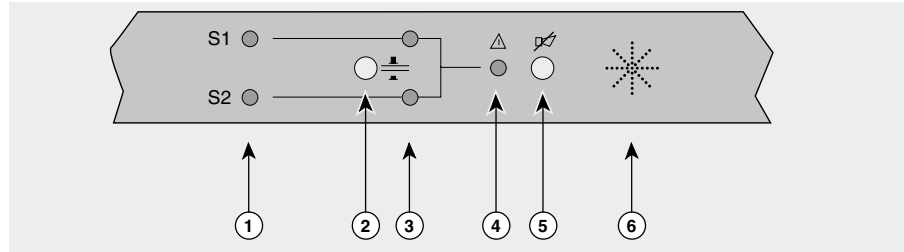


Fig. 11

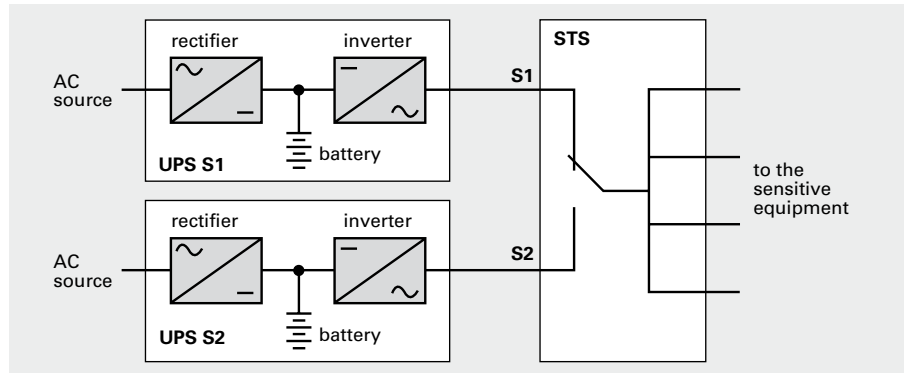


Fig. 12

Note: to make source S2 the priority source (for example, if maintenance is required on source S1), simply press button ②.

Troubleshooting

Display	Problem	Solution
All LEDs on the front panel of the STS are OFF.	The power sources S1 and S2 are absent.	Check power sources S1 and S2. Reset the circuit breakers ⑮ on the rear panel of STS (if the fault has been cleared).
One of the voltage-status LEDs ① for the sources is red. The red fault LED ④ is OFF.	The corresponding power source is absent or outside tolerances.	Check the concerned power source. Reset the circuit breaker ⑮ on the rear panel of STS .
On STS 16 , the two voltage-status LEDs ① for the sources are green. The red fault LED ④ is OFF and the application is not supplied with power.	There is an overload on the output circuits.	Reset the circuit breaker ⑨.
The red fault LED ④ is ON.	Internal fault in STS .	Contact the after-sales technical support.
The red LED ⑯ is ON.	Sources out of synchronization, leading to premature wear of the STS .	Check your installation.

Appendices

Glossary

Alternate source: power source S1 or S2 for **STS** module, selected as alternate using button ②

Basic: data exchange protocol for status information on sources S1 and S2

Operation on bypass: source S1 or S2 supplying power directly from their AC source

Operation on inverter: source S1 or S2 supplying protected, quality power via their inverter

Preferred source: power source S1 or S2 for **STS** module, selected as preferred using button ②

Selector: set of eight DIP switches used to select the input voltage for the **STS** module

Sensitive equipment: devices supplied and protected by the **STS** module

STS COM: data exchange protocol for status information on the **STS** module, via dry contacts

SUB-D 9-pin connector: connector with nine pins, used for communications signals

UPS: uninterruptible power supply.

Index

Adhesive footpads:	8
Bay (installation):	8
Buzzer (operation and reset):	5, 12
Circuit breakers (reset):	5, 13
Communications pin-outs:	11
Contents of module:	3
Input voltage selector:	5, 7
LEDs (meaning):	5, 12
Packing:	3
Power supply (characteristics):	4
Selection of preferred source:	5, 12
UPS:	4, 9
Warnings (⚠):	2, 7-8

Sommaire

Avertissement	16
Présentation	
Réception du matériel	17
Stockage	17
Recyclage	17
Fonction	18
Caractéristiques	18
Vues d'ensemble	19
Installation	
Configuration de l'alimentation	21
Mise en place	22
Raccordements	23
Communication	24
Utilisation	25
Dépannage	27
Annexes	
Glossaire	28
Index	28

Tous les produits de la gamme EATON sont protégés par des brevets ; ils mettent en œuvre une technologie originale qui ne pourra être utilisée par aucun concurrent de EATON.

En raison de l'évolution des normes et du matériel, les caractéristiques indiquées dans ce document ne nous engagent qu'après confirmation par nos services.

Reproduction de ce document autorisée après accord de EATON et avec la mention obligatoire :
"Manuel d'installation et d'utilisation du module **STS** de EATON n° 5102761700".

Avertissement

EATON vous remercie de votre confiance. Vous avez choisi **STS** pour assurer la haute disponibilité de vos équipements informatiques, soit plus de 1500 manœuvres entre source prioritaire et source de réserve.

La garantie légale sur cet appareil est de 2 ans. Elle ne couvre que les cas d'utilisation respectant les préconisations suivantes (*):

- Seules les charges informatiques peuvent être protégées par la gamme **STS**, tout autre type de charge (résistive, inductive ou à facteur de crête >3:1) étant à exclure.

- La distance minimale entre la source (Alimentation Sans Interruption ou transformateur) et **STS** doit être au minimum de 50 m, avec une section maximale de 6 mm².

Les circuits de type Canalis sont à exclure.

- Les 2 sources d'alimentation doivent être en phase (attention à l'inversion Phase/Neutre) : une désynchronisation (signalée par le voyant "Site wiring fault") ou un écart de phase entre les 2 sources est un facteur d'usure prématurée des éléments de transfert.

(*) ne s'applique pas aux sources et onduleurs inférieurs à 6 KVA.

Réception du matériel

Le produit **STS** que vous venez d'acheter se compose des éléments suivants (voir figure 1) :

- le module **STS**,
- un manuel d'installation et d'utilisation (le présent document),
- quatre pieds adhésifs,
- quatre vis M6 et quatre écrous-cage,
- deux cordons de communication,
- deux systèmes de verrouillage des cordons d'alimentation des équipements.

Stockage

En cas de stockage avant sa mise en service, laissez votre module **STS** dans son emballage d'origine et à l'abri de l'humidité (température de stockage : -40 °C à +70 °C).

Recyclage de l'emballage

Concernant le rebut de l'emballage, veuillez vous conformer aux dispositions légales en vigueur.

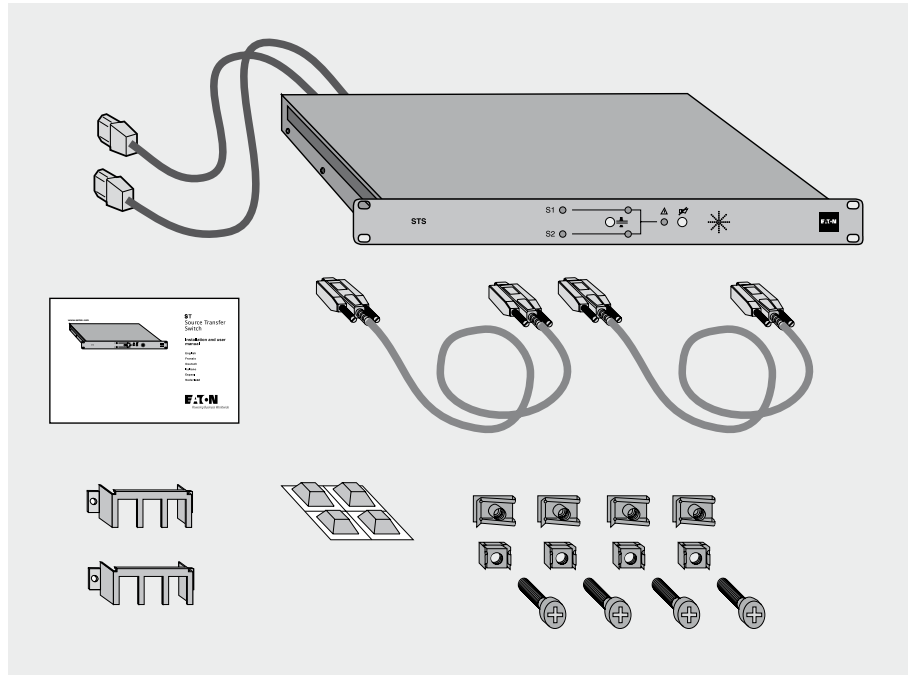


Fig. 1

Présentation

Fonction

Pour garantir le fonctionnement ininterrompu de vos équipements sensibles, EATON a développé **STS**. Le système de transfert de source **STS** offre une réponse simple et efficace en gérant la redondance d'alimentation à partir de deux sources indépendantes.

STS permet un transfert sans coupure (< 6 millisecondes), automatique ou commandé manuellement, depuis une source d'alimentation principale (dite aussi prioritaire) vers une source d'alimentation secondaire (dite source de réserve). Vous êtes libre de choisir la source désignée comme prioritaire, l'autre source devenant "réserve". En cas de défaillance, le transfert est automatique et instantané.

Il y a basculement automatique sur la source de réserve lorsque la tension de la source prioritaire s'écarte de plus de 12 % de la valeur nominale. Le retour sur la source prioritaire s'effectue automatiquement lorsque cette tension revient à l'intérieur de la tolérance ± 12 %.

Pour garantir une protection maximale des équipements sensibles raccordés, les deux sources seront de préférence deux ASI (Alimentation Sans Interruptions) de type "on line". Le module **STS** peut aussi être alimenté par une ASI et une autre source ou par deux autres sources alternatives sinusoïdales (réseau électrique, groupe électrogène, ...).

Caractéristiques

Les caractéristiques du module **STS** sont les suivantes :

- versions 208/220/230/240 V (tension d'entrée) : **STS 16**,
- version 120 V (tension d'entrée) : **STS 1400**,
- courant d'entrée : 16 A (**STS 16**), ou 12 A (**STS 1400**),
- protection par disjoncteurs thermiques 16 A ou 12 A selon les versions,
- seuil de basculement entre source prioritaire et source de réserve : ± 12 %,
- température maximale d'utilisation : 35°C,
- dimensions : 1U x 19" (44,45 x 482,6 mm),
- poids : 5 kg.

Vues d'ensemble

La figure 2 montre le détail des faces avant et arrière des différentes versions de **STS**.

Légende de la figure 2 :

- ① voyants de contrôle de tension des deux sources d'alimentation S1 et S2 :
voyant vert : tension de la source correcte,
voyant rouge : tension de la source hors des limites autorisées ($\pm 12\%$),
 - ② bouton de choix de la source prioritaire :
■: source S1 prioritaire,
■: source S2 prioritaire,
 - ③ voyants d'état de la source en service :
éteint : source non utilisée,
vert : source prioritaire en service,
jaune : source de "réserve" en service.
- Nota** : un seul de ces deux voyants est allumé à la fois,
- ④ voyant rouge de défaut de **STS**,
 - ⑤ bouton poussoir d'arrêt de buzzer,
 - ⑥ buzzer,
 - ⑦ cordons de raccordement du module aux sources d'alimentation S1 et S2,

- ⑧ prises de raccordement des équipements sensibles :
 - **STS 16** : 6 prises de type IEC 10 A, 1 prise de type 16 A,
 - **STS 1400** : 6 prises de type NEMA,
- ⑨ disjoncteurs de protection en sortie de **STS 16**,
- ⑩ connecteur SUB-D 9 points de communication de type UPS S1 provenant de la source 1,
- ⑪ connecteur SUB-D 9 points de communication de type UPS S2 provenant de la source 2,
- ⑫ connecteur SUB-D 9 points pour sortie de communication de type Basic,
- ⑬ connecteur SUB-D 9 points pour sortie de communication de type STS COM (contacts secs),
- ⑭ sélecteur de configuration de la tension d'alimentation de **STS** (versions europe),
- ⑮ disjoncteurs de protection à l'entrée des deux sources,
- ⑯ voyant de signalisation "sources désynchronisées".

Présentation

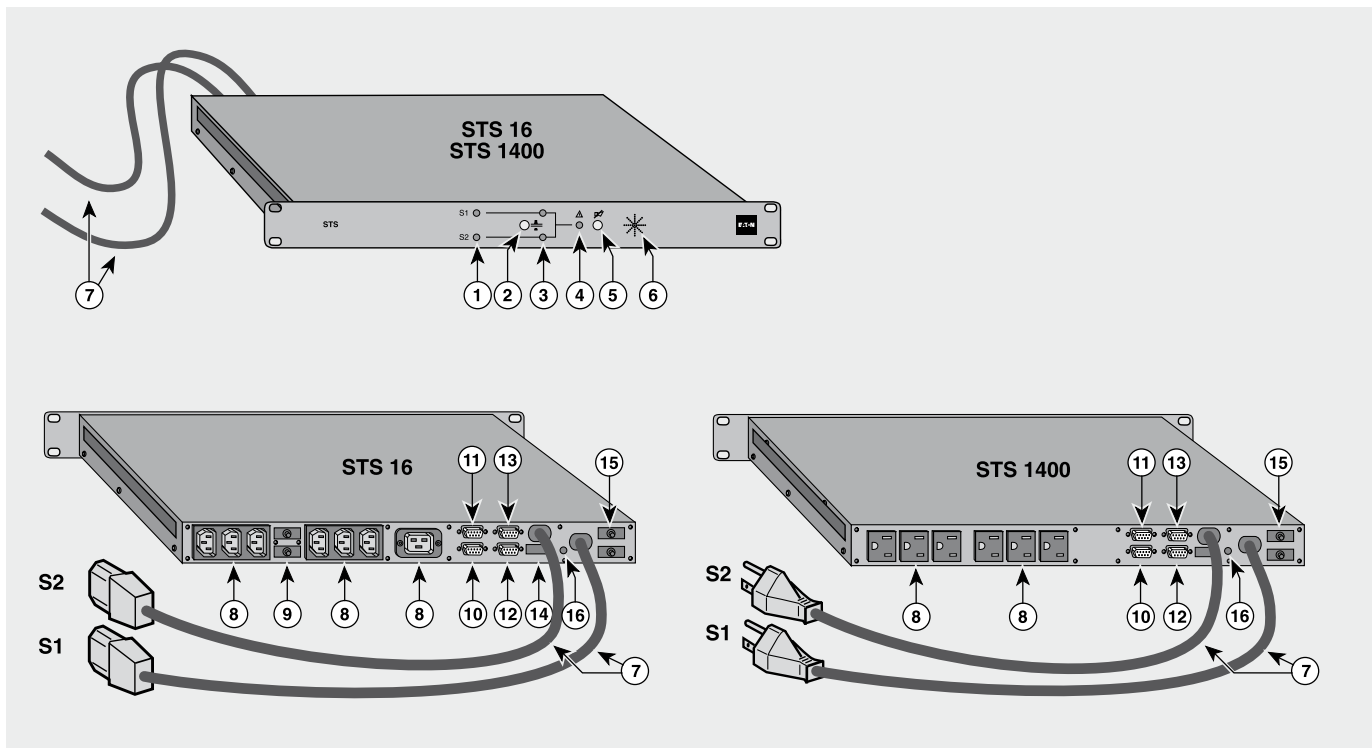


Fig. 2 : faces avant et arrière des modules STS

Configuration de l'alimentation

Avant d'effectuer le raccordement, assurez-vous que les sources qui vont alimenter le module **STS** sont bien compatibles avec ses caractéristiques.

STS 16 : 208 V - 220 V - 230 V - 240 V.

STS 1400 : 120 V.

La configuration "usine" de **STS 16** est de 230 V. Si nécessaire, réaliser l'adaptation de tension nécessaire (208 V, 220 V, 230 V ou 240 V) à l'aide du sélecteur ⑭ (voir figure 3).

En cas de défauts électriques, un disjoncteur réalise la protection du coffret sur chacune des sources.



Le sélecteur ⑭ doit être manipulé uniquement lorsque le module STS est hors tension (cordons ⑦ non reliés à leur source).

Une fois le module correctement configuré, raccorder les cordons d'alimentation ⑦ aux deux sources.

Pour faciliter le raccordement amont de STS 16 sur une prise femelle de type FR ou Schuko, EATON propose, en option, un kit de 2 câbles IEC C19/FR-Schuko mâle, de 1,90 m de longueur, de référence commerciale 66397.

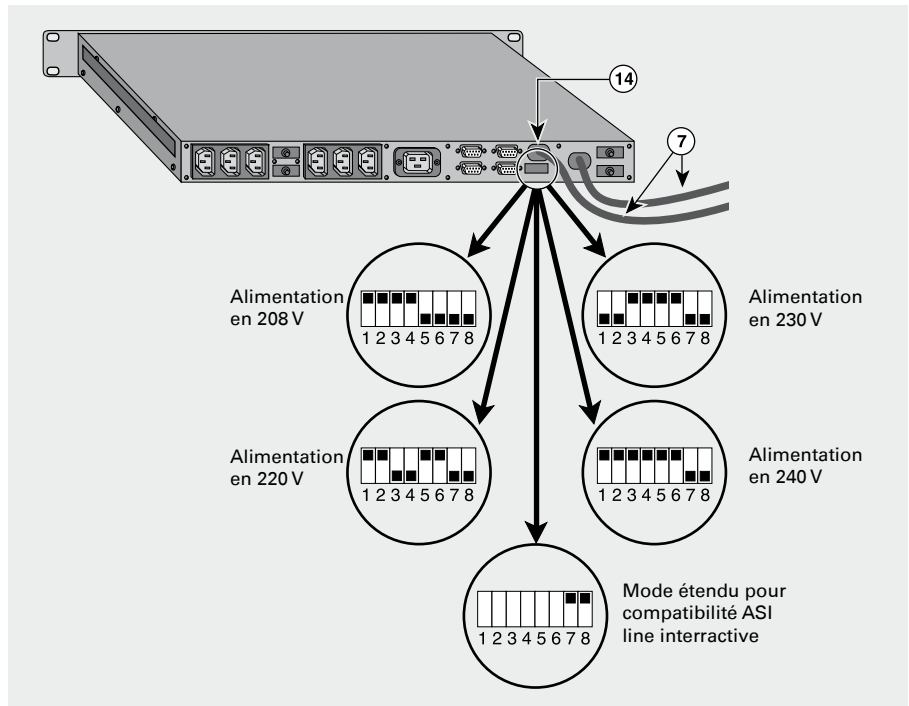


Fig. 3

Installation

Mise en place

Dans une baie

La figure 4 montre comment installer le module **STS** dans une baie 19" à l'aide des quatre vis M6 vissées dans les écrous-cage placés à la hauteur voulue dans les montants de l'armoire. Le module étant moins large que la baie, il ne perturbe pas la circulation des flux d'air.



Si la température interne de la baie dépasse 35 °C, il sera nécessaire de ventiler celle-ci, sinon le module STS devra être installé à l'extérieur de la baie.

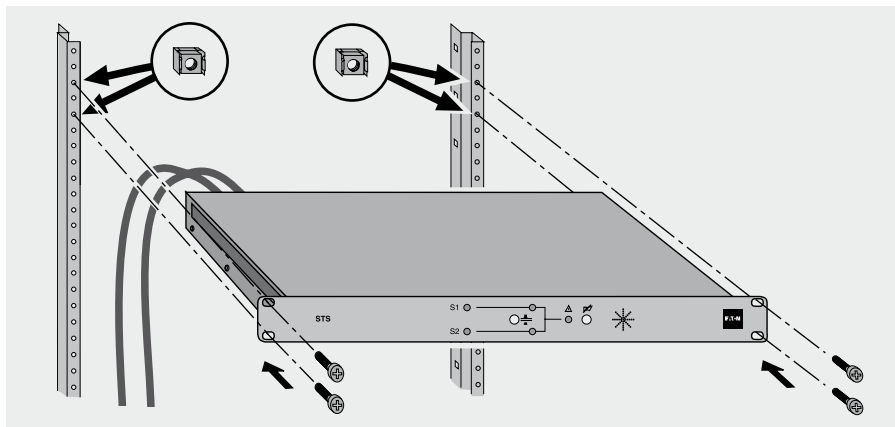


Fig. 4

Sur pieds

La figure 5 montre comment coller les pieds adhésifs de maintien sous le module **STS** pour une installation à plat.

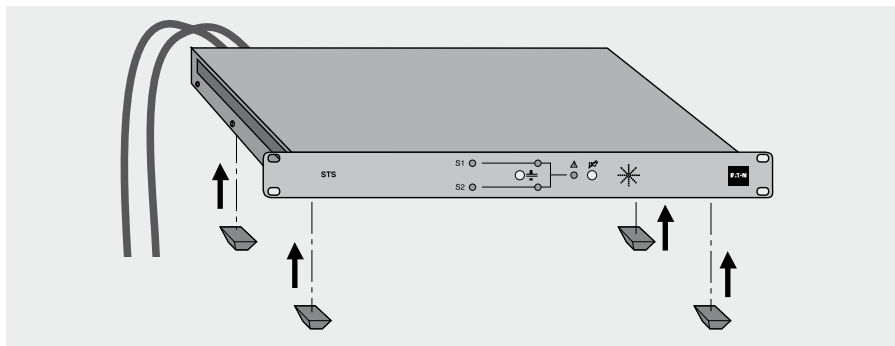


Fig. 5

Raccordements

Raccorder les cordons ⑦ aux deux sources d'alimentation électrique (S1 et S2) de **STS**.

Liaison avec des ASI

Raccorder les cordons ⑦ sur une des prises de l'ASI.

STS sera sous tension dès que l'une des sources S1 ou S2 sera en service.



Les ASI doivent avoir les mêmes caractéristiques (puissance, autonomie) et être de topologie "ON-LINE double conversion".

Dans le cas de redondance faite à partir de deux ASI de type "Evolution", nous consulter.

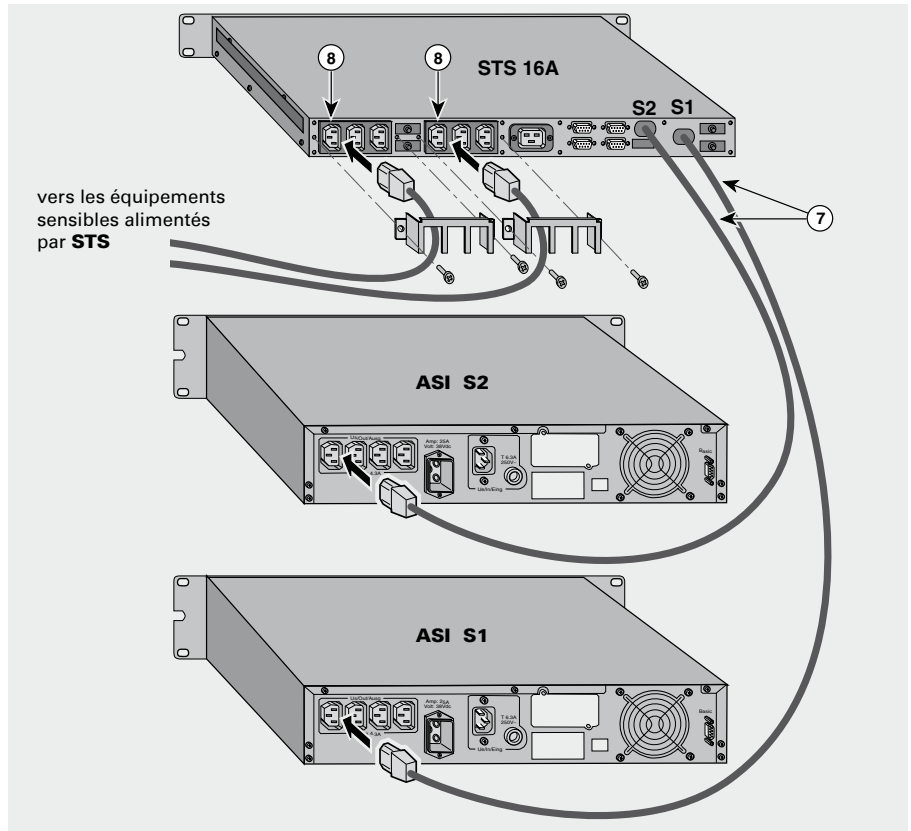


Fig. 6

Installation

Communication

L'utilisation des ports de communication de **STS** est optionnelle et non nécessaire à son bon fonctionnement.

STS dispose en standard d'un port de communication "Basic" regroupant les informations venant des deux sources S1 et S2 (chaque ASI doit avoir un port Basic disponible) et également d'un port de communication propre "STS COM".

Communication "Basic"

Dans le cas d'un Pack haute disponibilité, le port de communication Basic STS regroupe les informations fournies par les deux ASI S1 et S2.

Pour rendre ce port actif, il est nécessaire de raccorder les ports de communication UPS S1 et UPS S2 (au moyen des cordons fournis avec STS) aux ports de communication Basic des ASI S1 et S2 respectivement (voir figure 7).

Les informations disponibles sur le port Basic de **STS** sont celles du port Basic de l'ASI alimentant les équipements.

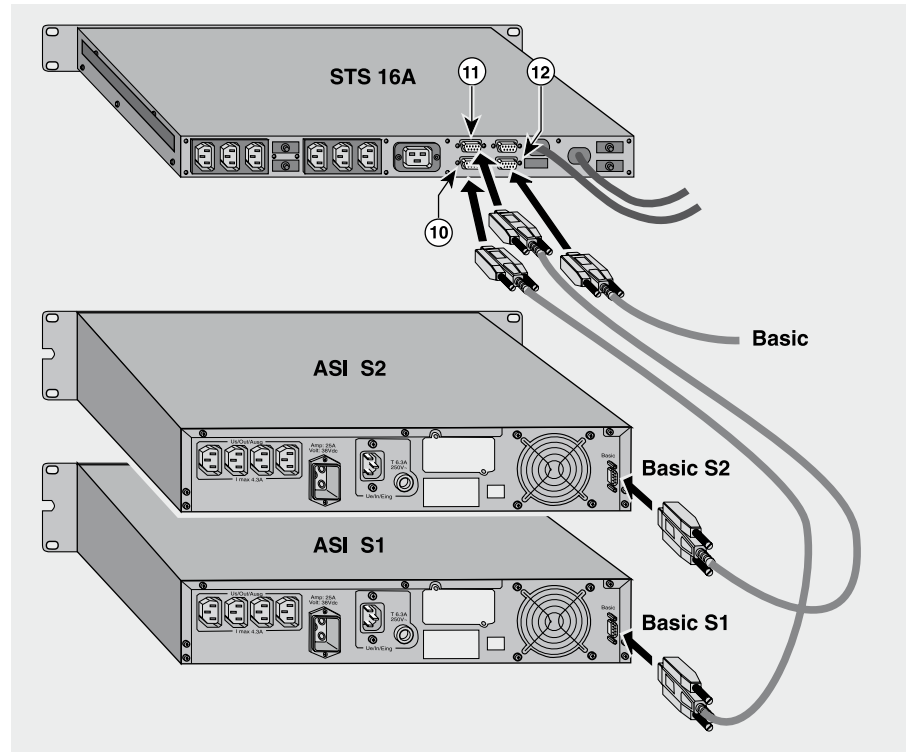


Fig. 7

Le port Basic **STS** ⑫ fournit les informations suivantes :

- broche 1 : masse,
- broche 4 : fonctionnement normal,
- broche 5 : commun,
- broche 6 : fonctionnement sur by-pass,
- broche 7 : préalarme de fin d'autonomie batterie,
- broche 8 : fonctionnement sur ASI,
- broche 9 : fonctionnement sur batterie.

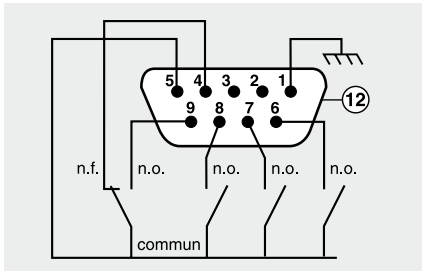


Fig. 8

ASI avec "Protocol Interface" (option)

Cette option permet de convertir les informations de type Basic en protocole série RS232. Vous pouvez alors exploiter les capacités d'administration et d'arrêt système du logiciel **Solution Pac**.

"MultiSlot" (option)

Avec les solutions **MultiSlot**, votre système **STS** et les deux ASI ne font pas qu'un. **MultiSlot**, équipé de deux cartes d'acquisition MetaUPS, concentre les informations venant de chaque port U-Talk des deux ASI et du port STS COM de **STS**. L'utilisation d'une carte de communication U-Talk, J-Bus ou SNMP, permet une communication optimisée avec les systèmes protégés.

Dans votre cas, votre application ne s'arrêtera qu'en cas de disparition complète d'énergie, c'est à dire une fois que les batteries de chaque ASI auront été utilisées.

Se référer au manuel d'utilisation de **MultiSlot** pour le raccordement.

Communication "STS COM"

Ce port de communication ⑬ délivre des informations d'états sur **STS**.

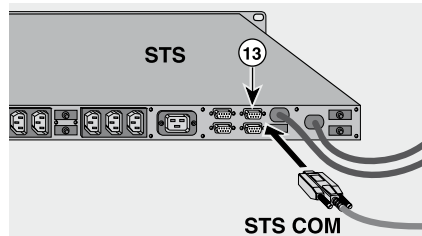


Fig. 9

Brochage du port "STS COM" :

- broche 1 : masse,
- broche 4 : source S2 prioritaire,
- broche 5 : commun,
- broche 6 : source S1 en tolérance,
- broche 7 : source S2 en tolérance,
- broche 8 : pas de défaut dans **STS**,
- broche 9 : source S1 prioritaire.

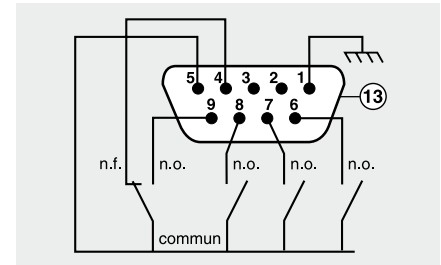


Fig. 10

Pouvoir de coupure des relais :
 $V_{max} = 30 \text{ V}$
 $I_{max} = 100 \text{ mA}$

n.o. : normalement ouvert,
n.f. : normalement fermé.

Utilisation

Nous nous plaçons dans le cas où la source S1 est prioritaire (bouton ② relevé).

Les voyants ① indiquent le niveau de tension des sources S1 et S2 :

- ils sont allumés en vert dans la plage de $\pm 12\%$ autour de la valeur nominale
- ils sont allumés en rouge en dehors de cette plage.

Les voyants ③ indiquent quelle est la source en service :

- il est éteint sur la voie de la source non utilisée
- il est allumé en vert sur la voie de la source prioritaire quand elle est en service
- il est allumé en jaune sur la voie de la source de "réserve" quand elle est en service.

Vos applications sont alimentées si l'un des deux voyants est allumé.

Le voyant ④ s'allume en rouge en cas de défaut interne au module **STS** : contacter le service après vente EATON. En complément des voyants, le **buzzer ⑥** retentit dans les cas suivants :

- source S1 ou source S2 hors tolérances
- défaut interne du module **STS**.

Une fois le problème identifié, l'extinction du buzzer est réalisé par appui sur le bouton poussoir ⑤.

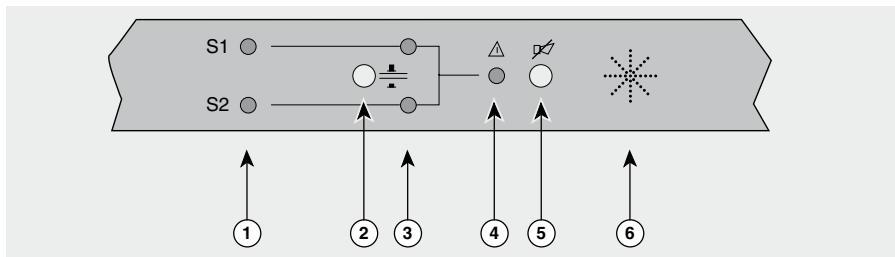


Fig. 11

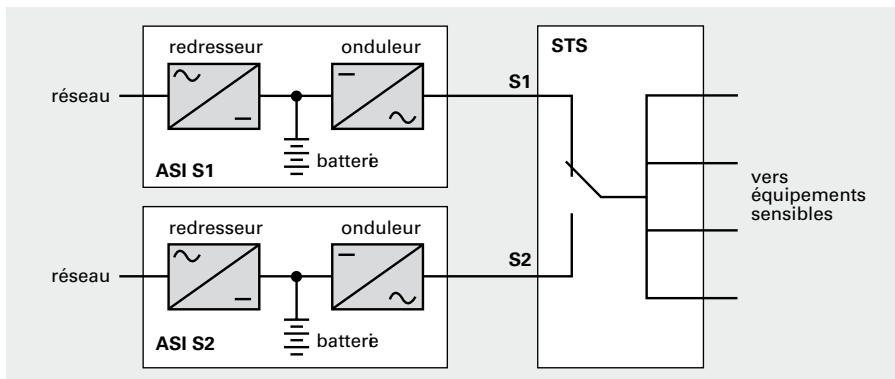


Fig. 12

Nota : si l'on désire rendre la source S2 prioritaire (pour la maintenance de la source S1 par exemple), appuyer sur le bouton ②.

Dépannage

Visualisation	Anomalies	Remèdes
Tous les voyants sont éteints sur la face avant de STS .	Les sources d'alimentation S1 et S2 sont absentes.	Vérifier l'état des sources d'alimentation S1 et S2. Réarmer les disjoncteurs ⑮ en face arrière de STS (si le défaut n'est pas persistant).
Un des voyants de présence des sources d'alimentation ① est rouge. Et le voyant rouge de défaut ④ est éteint.	La source d'alimentation correspondante est absente ou hors tolérance.	Vérifier l'état de la source concernée. Réarmer le disjoncteur ⑮ en face arrière de STS .
Sur STS 16 , les 2 voyants de présence des sources d'alimentation ① sont vert. Le voyant rouge de défaut ④ est éteint et l'application n'est pas alimentée.	Surcharge sur les prises de sortie.	Réarmer le disjoncteur ⑨ .
Le voyant rouge de défaut ④ est allumé.	Défaut interne de STS .	Appeler le service après vente.
Le voyant rouge ⑯ est allumé.	Sources désynchronisées, engendrant une usure prématurée des éléments de transfert de STS .	Vérifier votre installation.

Annexes

Glossaire

ASI : Alimentation Sans Interruptions,

Basic : protocole d'échange d'informations sur l'état des sources S1 et S2,

Equipements sensibles : appareils alimentés et protégés par le module **STS**,

Fonctionnement sur ASI : source S1 ou S2 délivrant la tension sans interruption élaborée par l'ASI,

Fonctionnement sur by-pass : source S1 ou S2 délivrant la tension du réseau qui l'alimente,

Prioritaire : source d'alimentation S1 ou S2 du module **STS** choisie comme source prioritaire par le bouton ②,


Réserve : source d'alimentation S1 ou S2 du module **STS** choisie comme source de réserve par le bouton ②,

Sélecteur : ensemble de 8 interrupteurs destinés au choix de la tension d'alimentation du module **STS**,

STS COM : protocole d'échange d'informations sur l'état du module **STS** via des contacts secs,

SUB-D 9 points : type de connecteur comportant 9 broches utilisé pour les signaux de communication.

Index

Alimentation (caractéristiques) :	18
ASI :	18, 23
Avertissements () :	16, 21-22
Baie (installation dans) :	22
Buzzer (fonctionnement et extinction) :	19, 26
Choix de la source prioritaire :	19, 26
Disjoncteurs (réarmement) :	19, 27
Emballage :	17
Informations de communication délivrées :	24
Matériel disponible :	17
Pieds adhésifs :	22
Sélecteur de tension d'alimentation :	19, 21
Voyants (signification) :	19, 26

Wichtiger Hinweis	30
Beschreibung	
Lieferumfang	31
Lagerung	31
Verpackungsentsorgung	31
Funktionsweise	32
Technische Daten	32
Geräteansichten	33
Installation	
Einstellung Eingangsspannung	35
Montage	36
Anschlüsse	37
Kommunikation	38
Anzeige und Bedienung	40
Störungsursachen und Fehlerbehebung	41
Anhang	
Wichtige Begriffe	42
Index	42

Sämtliche von EATON hergestellten und/oder vertriebene Produkte sind patentrechtlich geschützt.
Es kommen Originaltechnologien zum Einsatz, deren Nachbau untersagt ist.

Aufgrund der ständigen Weiterentwicklung der Normen und der Technologie, bleiben Änderungen vorbehalten.
Technische Angaben in diesem Dokument sind erst nach schriftlicher Bestätigung durch EATON bindend.

Von EATON autorisierte Kopien dieses Dokumentes müssen mit dem Aufdruck "EATON, Installations- und Bedianungsanleitung **STS** Nr. 5102761700" versehen sein.

Wichtiger Hinweis

EATON dankt Ihnen für Ihr Vertrauen. Sie haben sich für das Produkt **STS** entschieden, das in der Lage ist, mehr als 1500 Umschaltungen zwischen einer Primär- und einer Reserveeinspeisung auszuführen und so eine hohe Verfügbarkeit Ihrer EDV-Ausrüstungen zu gewährleisten.

Die gesetzliche Gewährleistung für dieses Produkt beträgt zwei Jahre. Sie gilt nur unter Einhaltung folgender Bedingungen (*):

- Die Systeme der Baureihe **STS** dürfen nur zum Schutz von EDV-Ausrüstungen verwendet werden. Der Anschluß anderer Verbraucher (ohmsche und induktive Lasten, Verbraucher mit einem Crestfaktor > 3:1) an das **STS** ist nicht zulässig.
- Die Mindestlänge der Verbindung zwischen Einspeisung (USV-Anlage oder Transformator) und **STS** beträgt 50 m, der Leiterquerschnitt beträgt maximal 6 mm².

Installationen mit Schienenverteilern vom Typ Canalis sind unzulässig.

- Die beiden Einspeisungen müssen phasensynchron sein (Phasen- und Neutralleiter nicht vertauschen!). Ein unsymmetrischer (Anzeige durch die LED "Site wiring fault") Betrieb oder eine Phasenschiefelage zwischen den beiden Einspeisungen führt zu vorzeitiger Abnutzung der Umschaltkomponenten.

(*): gilt nicht für Einspeisungen und USV-Anlagen < 6 kVA.

Lieferumfang

Zum Lieferumfang des **STS** gehören folgende Elemente (siehe Abb. 1):

- **STS**,
- Installations- und Bedienungsanleitung,
- 4 selbstklebende FüÙe,
- 4 M6 Schrauben und Käfigmuttern,
- 2 Datenkabel,
- 2 Verriegelungsabdeckungen für Verbraucher-Anschlußkabel.

Lagerung

STS ist in Originalverpackung zu lagern und vor Feuchtigkeit zu schützen (Lagertemperatur: max. -40 °C bis +70 °C).

Entsorgung der Verpackung

Für die Entsorgung der Verpackung sind die jeweils geltenden Bestimmungen einzuhalten.

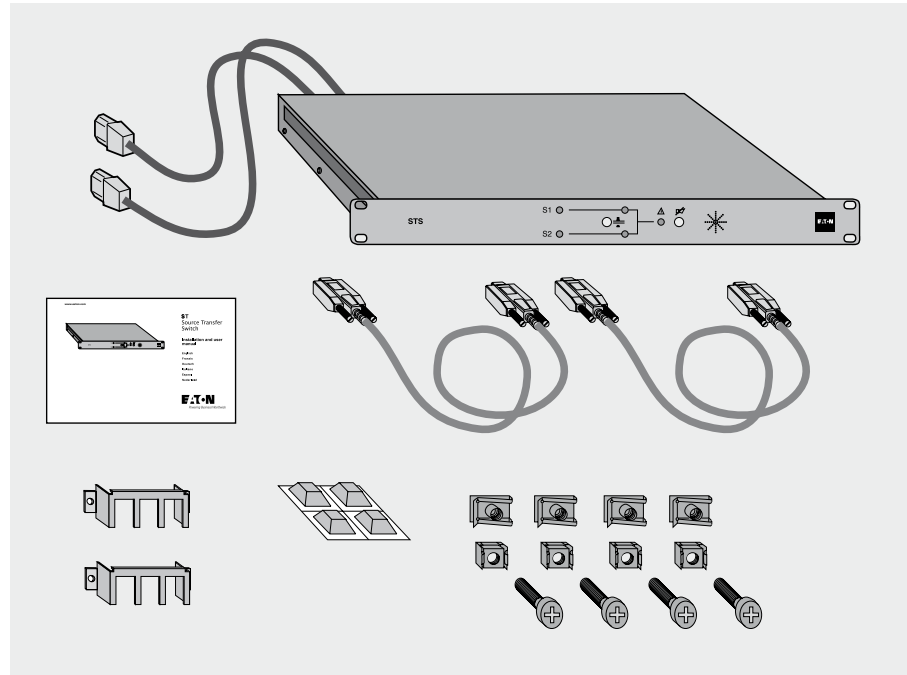


Abb. 1

Beschreibung

Funktionsweise

Zur Gewährleistung des unterbrechungsfreien Betriebes Ihrer empfindlichen Verbraucher hat EATON **STS** entwickelt. **STS** (Source Transfer Switch) bietet, als automatisches Umschaltmodul für 2 Einspeisungen, eine einfache und effiziente Lösung zur redundanten Nutzung von zwei unabhängigen Stromquellen.

STS ermöglicht den unterbrechungsfreien, automatischen oder manuellen Transfer (< 6 Millisekunden) zwischen zwei unabhängigen, sinusförmigen Stromquellen. Eine Stromquelle wird als Primäreinspeisung, die andere als Reserveeinspeisung definiert. Im Fall einer Störung erfolgt der Transfer von einer Einspeisung zur anderen, automatisch und unverzüglich.

Die Umschaltung auf die Reserveeinspeisung erfolgt automatisch, wenn die Spannungstoleranz der Primäreinspeisung 12 % des Nennwertes überschreitet. Die Rückkehr zur Primäreinspeisung erfolgt automatisch, wenn diese Spannung in den Toleranzbereich von $\pm 12\%$ zurückkehrt.

Um einen Maximalschutz der angeschlossenen Verbraucher zu gewährleisten, sollten vorzugsweise zwei Online-USV (Unterbrechungsfreie Stromversorgungsanlagen) als Einspeisungen verwendet werden. Es ist jedoch auch eine Einspeisung des **STS** über eine USV-Anlage und eine Stromquelle anderen Typs oder über zwei sonstige Einspeisungen (Versorgungsnetz, Netzersatzanlage..) möglich, die eine sinusförmige Wechselspannung liefern.

Technische Daten

Technische Daten **STS**:

- 208/220/230/240 V Ausführung (Eingangsspannung): **STS 16**,
- 120 V Ausführung (Eingangsspannung): **STS 1400**,
- Eingangsstrom:
- **STS 16** - 16 A
- **STS 1400** - 12 A
- Schutz über thermische Schutzschalter 16 A und 12 A je nach Ausführung,
- maximale Umgebungstemperatur: 35 °C,
- Abmessungen: 1HE x 19" (44,45 x 482,6 mm),
- Gewicht: 5 kg.

Geräteansichten

In Abbildung 2 werden die Front- und Rückseiten der verschiedenen **STS** Modelle detailliert dargestellt.

Zeichenerklärung der Abbildung 2

- ① LEDs (Leuchtdioden) zur Spannungskontrolle der beiden Einspeisungen S1 und S2:
LED GRÜN : Spannung innerhalb der Toleranz,
LED ROT: Spannung außerhalb der Toleranz ($\pm 12\%$),
- ② Druckschalter zur Wahl der Primäreinspeisung:
■: S1 = Primäreinspeisung,
■: S2 = Primäreinspeisung,
- ③ LED zur Statusanzeige welche Einspeisung den Ausgang versorgt:
AUS: Einspeisung wird nicht benutzt,
GRÜN: Primäre Einspeisung versorgt Ausgang,
GELB: Reserveeinspeisung versorgt Ausgang,
Hinweis: Es leuchtet jeweils nur eine dieser LEDs,
- ④ ROTE LED: **STS**- Störung,
- ⑤ Drucktaster zum Ausschalten des akustischen Warnsignals,
- ⑥ Akustisches Warnsignal,
- ⑦ Anschlußkabel **STS** für die Einspeisungen S1 und S2,
- ⑧ Verbrauchersteckdosen:
 - **STS 16**: 6 IEC320-Kaltgerätebuchsen 10 A, und 1 IEC320-Kaltgerätebuchse 16 A,
 - **STS 1400**: 6 NEMA- Anschlußbuchsen,
- ⑨ Ausgangs-Schutzschalter **STS 16**,
- ⑩ SUB-D9 Kommunikationsanschluß für Einspeisung 1 (USV S1-Typ),
- ⑪ SUB-D9 Kommunikationsanschluß für Einspeisung 2 (USV S2-Typ),
- ⑫ SUB-D9 Kommunikationsanschluß Ausgang (Basic-Typ),
- ⑬ SUB-D9 Kommunikationsanschluß Ausgang (-Typ, z.B. potentialfreie Kontakte),
- ⑭ **STS** Spannungswahlschalter (Nur Europaversion),
- ⑮ Eingangs-Schutzschalter,
- ⑯ LED "Einspeisungen nicht phasensynchron".

Beschreibung

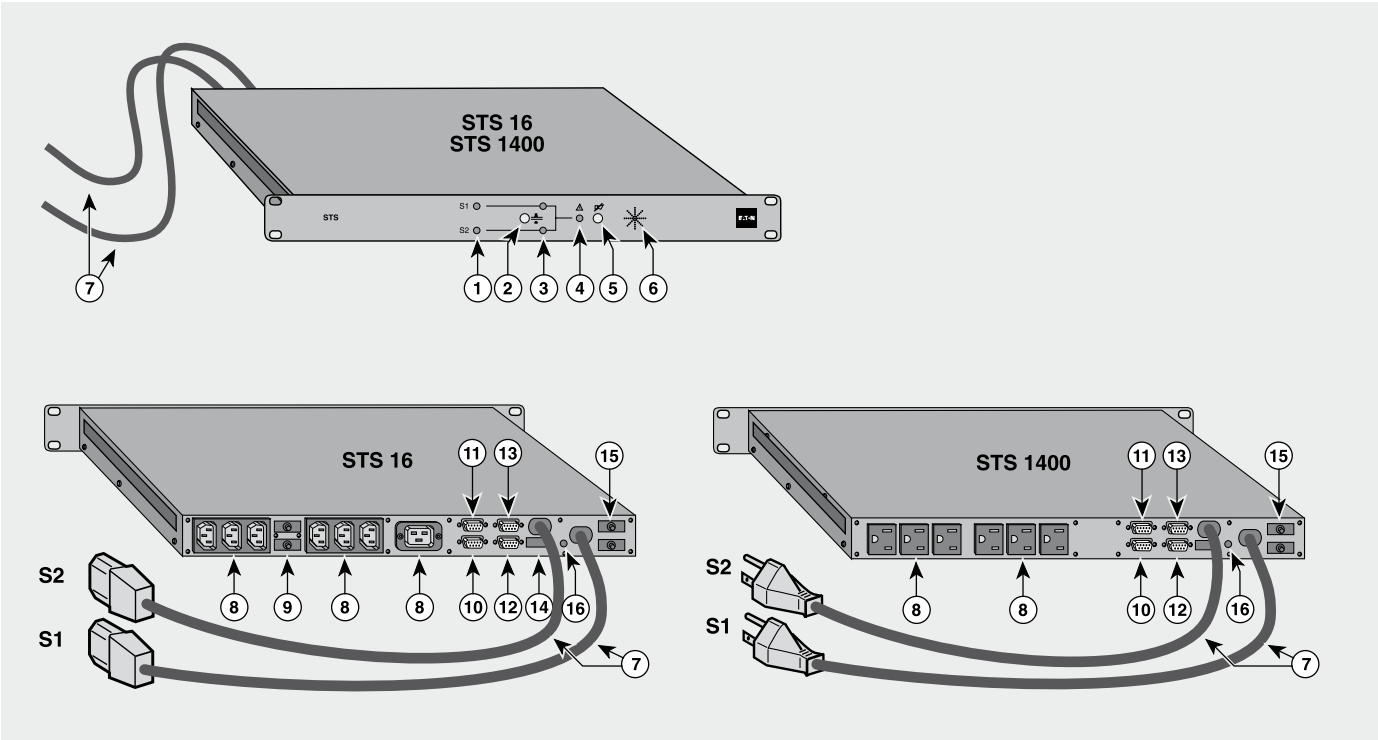


Abb. 2: STS Front- und Rückansichten

Einstellung Eingangsspannung

Vor dem Anschluß von **STS**, stellen Sie sicher, daß die Einspeisungen mit den **STS**- und Verbraucher-Daten übereinstimmen.

STS 16: 208 V - 220 V - 230 V - 240 V.

STS 1400: 120 V.

Werkseitig ist **STS 16** für 230V eingestellt. Falls notwendig, kann eine Anpassung (208 V, 220 V, 230 V oder 240 V) mit den Spannungswahlschaltern (14) vorgenommen werden (siehe Abb. 3). Für den Fall von elektrischen Störungen wird **STS** durch den Schutzschalter (15) in jeder der beiden Einspeisungen geschützt.



Die Spannungswahlschalter (14) dürfen nur betätigt werden, wenn STS spannungslos geschaltet ist (z.B. Einspeisekabel (7) nicht verbunden).

Wenn Sie **STS** richtig konfiguriert haben, können die beiden Anschlußkabel (7) mit der jeweiligen Einspeisung verbunden werden.

Um den Anschluß von **STS 16** an eine FR- bzw. Schuko-Steckdose zu erleichtern, bietet EATON als Option

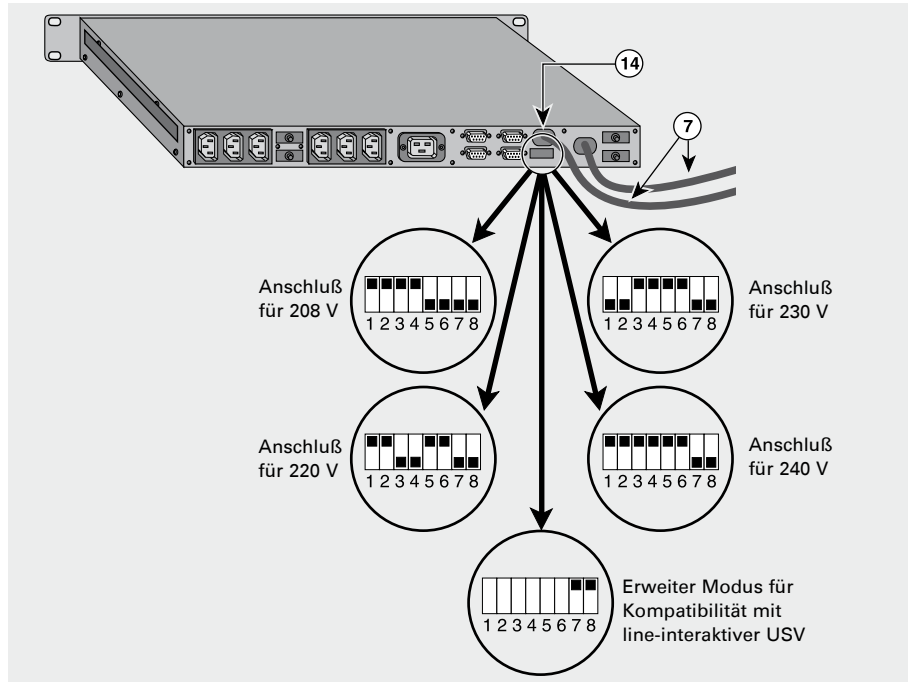


Abb. 3

2 Kabel mit IEC C19/FR-Schuko-Steckern und einer Länge von 1,90 m an (Bestell-Nr. 66397).

Installation

Montage

Schrankeinbau

Abbildung 4 zeigt die Montage des **STS** in einem 19"-Schrank, mit Hilfe der vier Käfigmutter und M6-Schrauben. Käfigmutter in die Streben des Schrankes auf die gewünschte Höhe einstecken und **STS** befestigen.

STS hat durch seine geringe Einbaubreite keine einschränkende Wirkung auf die Belüftung des Schrankes.



Falls die Temperatur im Schrank 35 °C übersteigt, ist Lüftereinbau erforderlich.

Ist dies nicht möglich, ist **STS** außerhalb des Schrankes zu montieren.

Tisch-/Bodenaufstellung

STS wie in Abb. 5 gezeigt mit den 4 selbstklebenden Standfüßen versehen.

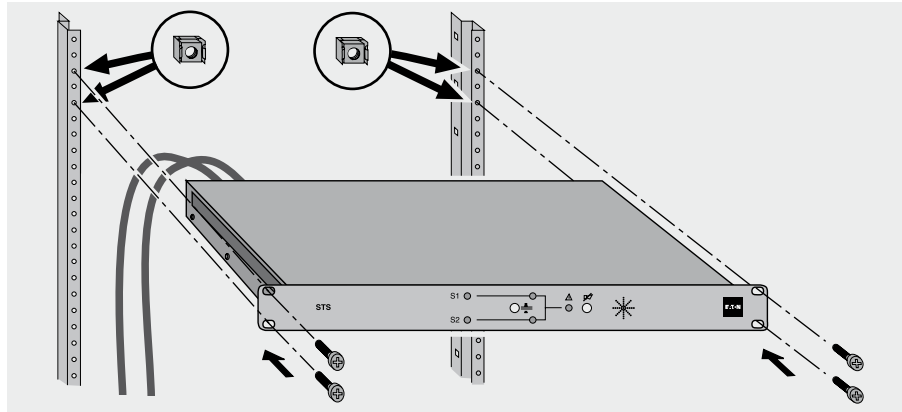


Abb. 4

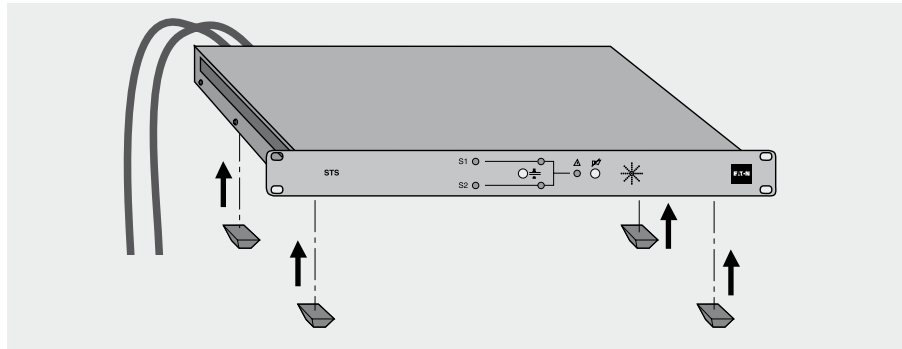


Abb. 5

Anschlüsse

Die Kabel ⑦ mit den beiden Einspeisungen (S1 und S2) des **STS** verbinden.

Die Verbraucher an die **STS**-Ausgangsteckdosen ⑧ anschließen.

Verbindung mit USV-Anlagen (Unterbrechungsfreie Versorgung)

Die Kabel ⑦ mit jeweils einer USV-Ausgangssteckdose verbinden.
Die Stromversorgung des **STS** erfolgt, sobald eine der beiden Stromquellen in Betrieb ist.



Die USV müssen die gleichen technischen Eigenschaften (Leistung, Autonomie) besitzen und sie müssen der Topologie "ON-LINE doppelte Konversion" angehören.

Im Fall einer Redundanz aufgrund von zwei USV vom Typ "Evolution", bitte bei uns anfragen.

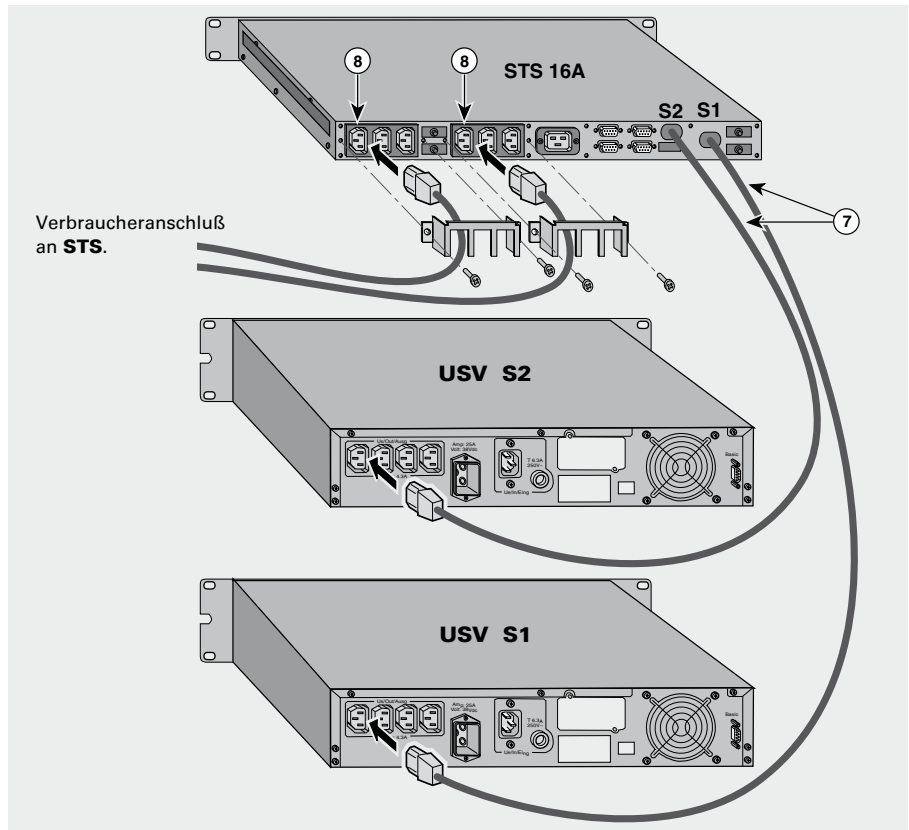


Abb. 6

Installation

Kommunikation

Die Verwendung der zwei **STS** Kommunikations-Interfaces ist für eine einwandfreie Funktion nicht erforderlich.

STS verfügt standardmäßig über ein Kommunikations-Interface "Basic", an dem die Datenausgänge der beiden USV-Einspeisungen S1 und S2 (Jede USV-Einspeisung muß einen verfügbaren "Basic"- Port haben) angeschlossen werden; sowie über ein eigenes Kommunikations-Interface "STS-COM" zur Fernmeldung des **STS** Zustandes.

Kommunikation "Basic"

Wird **STS** von 2 USV-Anlagen versorgt, und soll die Kommunikation mit einem Server (z.B. für Systemshutdown) hergestellt werden, sind die beiden USV's S1 und S2 datenmäßig mit dem **STS** Interface Basic zu verbinden. Hierzu werden die im Lieferumfang **STS** enthaltenen Datenkabel verwendet (siehe Abb. 7). Zum Anschluß des **STS** an den Server ist eines der beiden Datenkabel der USV-Anlagen zu verwenden.

Die auf dem "Basic" Port von **STS** verfügbaren Informationen sind diejenigen des "Basic" Ports der USV-Einspeisung zur Geräteversorgung.

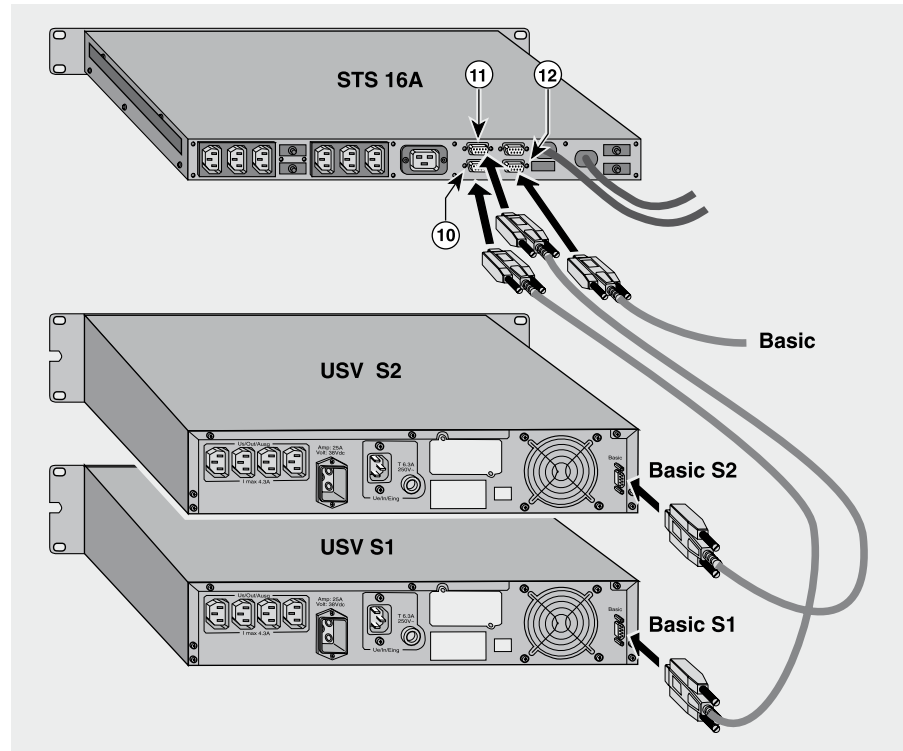


Abb. 7

Die Informationen der USV werden 1:1 übertragen und das Basic **STS** Interface ⑫ liefert folgende Informationen:

- Pin 1: Masse,
- Pin 4: Normalbetrieb,
- Pin 5: gemeinsamer Rückleiter,
- Pin 6: Betrieb über By-pass,
- Pin 7: Vorwarnung: Ende Batterieautonomie,
- Pin 8: Betrieb über USV,
- Pin 9: Batteriebetrieb.

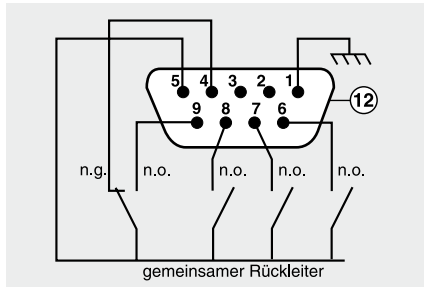


Abb. 8

USV-Einspeisung mit "Interface-Protokoll" (Option)

Diese Option ermöglicht es, die Informationen vom Typ Basic in ein serielles Protokoll RS232 umzuwandeln. Sie können dann die Verwaltungs- und Stoppkapazitäten der Software **Solution Pac** nutzen.

"MultiSlot" (Option)

Ist **MultiSlot** installiert, agieren **STS** und die beiden USV-Anlagen kommunikationsmäßig als ein System. **MultiSlot**, wird hierzu mit 2 MetaUSV Erfassungskarten bestückt und führt die U-Talk Daten jeder USV und des STS COM Interface zu einem Informationsbündel zusammen. Die Verwendung einer U-Talk, J-Bus- oder SNMP-Karte erlaubt eine optimale Kommunikation mit den geschützten Systemen.

Dies ermöglicht die komplette Ausnutzung der vorhandenen Batteriekapazität von USV S1 UND S2, bevor ein System-Shutdown eingeleitet wird. Für den Anschluß siehe **MultiSlot** Benutzerhandbuch.

Kommunikation "STS COM"

Über das Kommunikationsinterface ⑬ stehen Statusinformationen des STS, für Fernmeldungen, zur Verfügung.

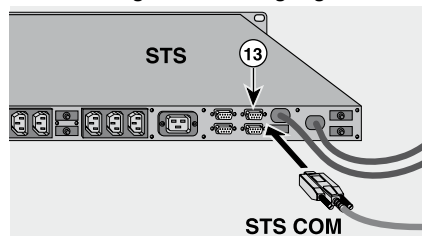


Abb. 9

Pinbelegung Interface "STS COM":

- Pin 1: Masse,
- Pin 4: S2 = Primäreinspeisung,
- Pin 5: gemeinsamer Rückleiter,
- Pin 6: S1 innerhalb Toleranzbereich,
- Pin 7: S2 innerhalb Toleranzbereich,
- Pin 8: keine Störung im **STS**,
- Pin 9: S1 = Primäreinspeisung.

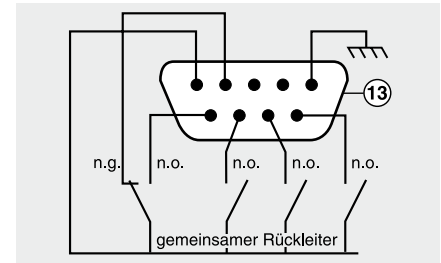


Abb. 10

Abschaltvermögen der Relaiskontakte:
 V max = 30 V
 I max = 100 mA

n. o. = Normal GEÖFFNET,
 n. g. = Normal GESCHLOSSEN.

Anzeige und Bedienung

Es wird davon ausgegangen, daß die Einspeisung S1 die Primäreinspeisung ist (Druckschalter ② nicht eingedrückt).

Die LEDs ① zeigen den Spannungsstatus der Einspeisungen S1 und S2 an:

- LED 1 GRÜN: Spannung innerhalb der Toleranz ($\pm 12\%$),
- LED 1 ROT: Spannung außerhalb der Toleranz rot.

Die LEDs ③ geben an, welche der beiden Einspeisungen durchgeschaltet ist:

- LED-AUS, Einspeisung nicht durchgeschaltet,
- LED-GRÜN, Primäreinspeisung durchgeschaltet,
- LED-GELB, Reserveeinspeisung durchgeschaltet.

Die Verbraucher werden versorgt, wenn eine der beiden LEDs leuchtet.

Die LED ④ leuchtet rot im Fall einer internen Störung des **STS**:

Setzen Sie sich mit dem EATON Kundendienst in Verbindung. Zusätzlich zur optischen Signalisierung ertönt ein akustische Warnsignal ⑥ in folgenden Fällen:

- Einspeisung S1 oder S2 außerhalb der Toleranz,
- Interne Störung des **STS**.

Über den Drucktaster ⑤ kann der akustische Alarm abgeschaltet werden.

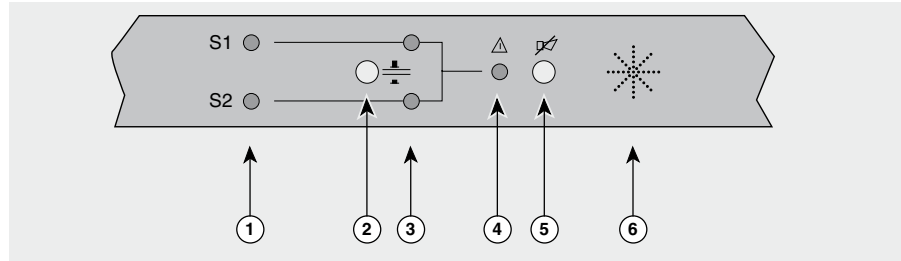


Abb. 11

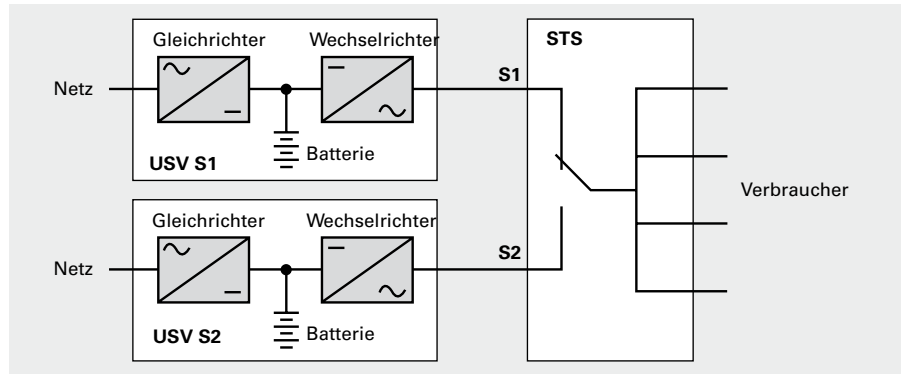


Abb. 12

Hinweis: Soll Einspeisung S2 als Primäreinspeisung gewählt werden (z.B. für Wartungsarbeiten) ist hierzu nur der Druckschalter ② zu betätigen.

Störungsursachen und Fehlerbehebung

Anzeige	Fehlerursache	Fehlerbehebung
Alle LEDs auf der Frontseite des STS sind aus.	Die Einspeisungen S1 und S2 sind nicht angeschlossen oder nicht vorhanden.	Überprüfen Sie: <ul style="list-style-type: none"> • den Status der Einspeisungen S1 und S2. • ob die Schutzschalter (15) auf der Rückseite der STS ausgelöst haben (wenn Ja, die Störung beseitigen und die Schalter (15) wieder einschalten).
Eine der LEDs zur Spannungskontrolle (1) leuchtet ROT, und die LED (4) für interne Störung STS ist AUS.	Die entsprechende Einspeisung ist nicht vorhanden oder außerhalb der Toleranz.	Überprüfen Sie den Status der entsprechenden Einspeisung. Wenn der Schutzschalter (15) auf der Rückseite des STS ausgelöst hat, Fehler beseitigen und wieder einschalten.
STS 16: Beide LEDs zur Spannungskontrolle der Einspeisungen (1) sind GRÜN. Die LED (4) interne Störung STS ist AUS, Ihre Verbraucher werden trotzdem nicht versorgt.	Überlast oder Kurzschluß in den Verbraucherstromkreisen. Schutzschalter (9) hat ausgelöst.	Überlast oder Kurzschluß beseitigen und Schutzschalter (9) wieder einschalten.
Die rote LED Anlagenstörung (4) leuchtet.	Interne Störung des STS .	Wenden Sie sich bitte an den EATON Kundendienst.
Die rote LED (16) leuchtet.	Einspeisungen nicht phasensynchron, was zu einer vorzeitigen Abnutzung der Umschaltkomponenten der STS führt.	Bitte überprüfen Sie Ihre Installation.

Anhang

Wichtige Begriffe

Betrieb über By-pass: Die USV S1 oder S2 versorgt **STS** mit Netzspannung (kein Batterieschutz).

Betrieb über USV: Die USV S1 oder S2 versorgt STS mit gesicherter Spannung.

Basic: Zwei USV-Anlagen S1 und S2 versorgen **STS**. Datenmäßig werden nur die Informationen einer USV an die Verbraucher übertragen.

Primäreinspeisung: Einspeisung S1 oder S2 des **STS**. Auswahl der Primäreinspeisung über Druckschalter ②.

Reserveeinspeisung: Einspeisung S1 oder S2 des **STS**. Auswahl über Druckschalter ②. Bei Ausfall der Primäreinspeisung schaltet **STS** unterbrechungs-frei auf die Reserveeinspeisung um.

Spannungswahlschalter: Einheit aus 8 DIP-Switches über die die Nennspannung des **STS** eingestellt wird.

STS COM: Kommunikationsanschluß **STS** mit potentialfreien Kontakten für Fernmeldungen.

SUB-D 9 Buchse: 9polige Steckverbindung für Kommunikationssignale.

USV: Unterbrechungsfreie Stromversorgungsanlage.

Verbraucher: Geräte, die über **STS** gespeist und geschützt werden.

Index

Akustisches Warnsignal (Betrieb und Abschalten):	33, 40
Kommunikationsanschlüsse:	38
LEDs, Leuchtdioden (Bedeutung):	33, 40
Lieferumfang:	31
Montage:	36
Schutzschalter (erneutes Inbetriebsetzen):	33, 41
Selbstklebende Aufstellfüße:	36
Spannungswahlschalter:	33, 35
Stromversorgung (technische Daten):	32
USV:	32, 37
Verpackung:	31
Wahl der Primäreinspeisung:	33, 40
Wichtige Hinweise (⚠):	30, 35-36

Avvertenza	44
Presentazione	
Ricevimento del materiale	45
Stoccaggio	45
Riciclaggio	45
Funzione	46
Caratteristiche	46
Vista d'insieme	47
Installazione	
Configurazione dell'alimentazione	49
Installazione	50
Allacciamenti	51
Comunicazione	52
Utilizzo	54
Interventi in caso di guasti	55
Allegati	
Glossario	56
Indice analitico	56

Tutti i prodotti della gamma EATON sono protetti da brevetto: essi mettono in atto una tecnologia originale che non potrà essere utilizzata da alcun concorrente di EATON.

Data l'evoluzione delle norme e del materiale, le caratteristiche indicate nel presente documento non impegnano la nostra responsabilità se non dopo conferma da parte dei nostri servizi.

La riproduzione del presente documento è autorizzata solo previa accordo di EATON, con la menzione obbligatoria: "Manuale di installazione e di utilizzo del modulo **STS** di EATON n° 5102761700".

Avvertenza

EATON vi ringrazia per la fiducia dimostrata scegliendo il modulo **STS** per garantire la massima disponibilità delle vostre apparecchiature informatiche, per più di 1500 manovre tra fonte prioritaria e fonte di riserva.

La garanzia legale su questo apparecchio è di 2 anni e copre esclusivamente i casi di utilizzo conformi alle seguenti raccomandazioni (*):

- La gamma **STS** protegge solo le cariche informatiche; pertanto, è da escludersi qualsiasi altro tipo di carica (resistiva, induttiva o con fattore di cresta > 3:1).
- La distanza minima tra la fonte (UPS o trasformatore) ed il modulo **STS** deve essere di almeno 50 m, con una sezione minima di 6 mm². Sono da escludersi i circuiti di tipo Canalis.
- Le due fonti d'alimentazione devono essere in fase (prestare attenzione all'inversione Fase/Neutro): l'eventuale desincronizzazione (segnalato dalla spia luminosa "Site wiring fault" - errore cablaggio -) o differenza di fase tra le 2 fonti costituisce un fattore di usura prematura degli elementi di trasferimento.

(*): non applicabile alle fonti ed inverter inferiori a 6 KVA.

Ricevimento del materiale

Il prodotto **STS** in vostro possesso è composto dai seguenti elementi (vedi figura 1):

- il modulo **STS**,
- un manuale di installazione e di utilizzo (il presente documento),
- quattro piedini adesivi,
- quattro viti M6 e quattro dadi a gabbia,
- quattro cavi di comunicazione,
- due sistemi di fissaggio dei cavi di alimentazione delle utenze.

Stoccaggio

In caso di stoccaggio prima della messa in servizio, lasciare il modulo **STS** nel rispettivo imballaggio di origine e riportarlo al riparo dall'umidità (temperatura di stoccaggio compresa tra -40 °C e +70 °C).

Riciclaggio dell'imballaggio

Per quanto riguarda lo smaltimento dell'imballaggio, si prega di attenersi alle disposizioni legali in vigore.

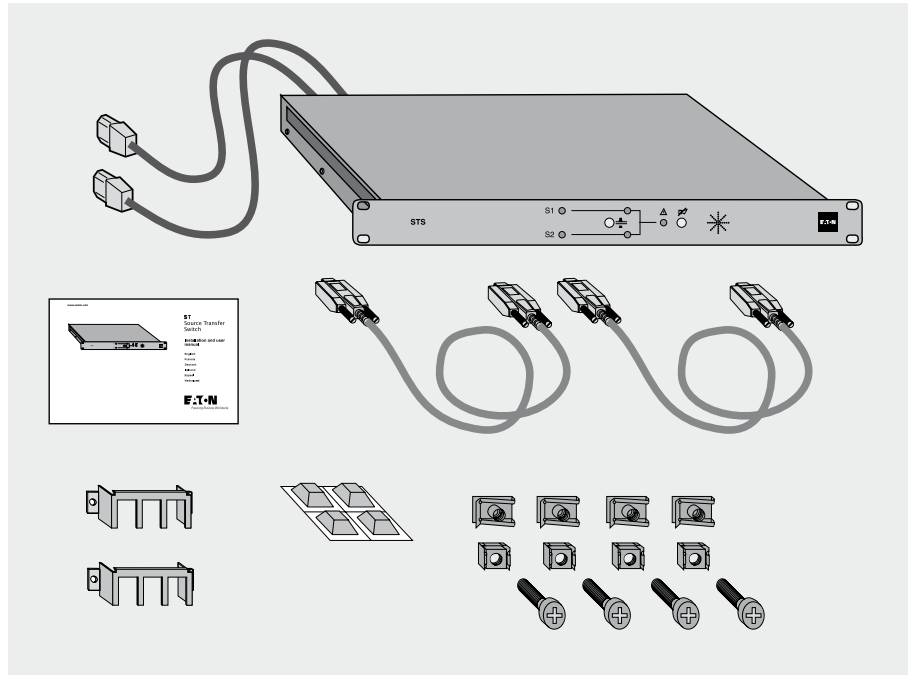


Fig. 1

Presentazione

Funzione

Per garantire il funzionamento ininterrotto di attrezzature sensibili, EATON ha sviluppato il **STS**. Il sistema di trasferimento di fonte **STS** offre una soluzione semplice ed efficace, in grado di gestire la ridondanza di alimentazione a partire da due fonti indipendenti.

Il modulo **STS** consente il trasferimento senza alcuna interruzione (< 6 millisecondi) automatico o comandato manualmente a partire da una fonte di alimentazione principale (detta anche prioritaria) verso una fonte di alimentazione secondaria (denominata fonte di riserva). L'utente è libero di scegliere la fonte designata come prioritaria, l'altra fonte sarà automaticamente quella di "riserva". In caso di guasti, il trasferimento è automatico ed istantaneo.

Si passa automaticamente sulla fonte di riserva quando la differenza della tensione della fonte prioritaria supera il 12 %, rispetto al valore nominale. Il ritorno sulla fonte prioritaria si effettua automaticamente quando tale tensione ritorna all'interno del campo di tolleranza +12 %.

Per garantire una massima protezione delle attrezzature sensibili collegate, le due fonti saranno preferibilmente due UPS (Gruppi statici di continuità) di tipo "on line".

Il modulo **STS** può anche essere alimentato da un UPS e da una altra fonte, oppure da due altre fonti ad uscita sinusoidale (rete elettrica, gruppo elettrogeno,...).

Caratteristiche

Le caratteristiche del modulo **STS** sono le seguenti:

- versione 208/220/230/240 V (tensione d'ingresso): **STS 16**,
- versione 120 V (tensione di ingresso): **STS 1400**,
- corrente di ingresso: 16 A (**STS 16**) o 12 A (**STS 1400**),
- protezione mediante interruttori termici 16 A o 12 A secondo le versioni,
- soglia di passaggio tra fonte prioritaria e fonte di riserva: +12 %,
- temperatura massima di utilizzo: 35 °C,
- dimensioni: 1U x 19" (44,45 x 482,6 mm),
- peso: 5 Kg.

Vista d'insieme

La figura 2 mostra dettagliatamente la vista frontale e posteriore delle diverse versioni del **STS**.

Legenda della figura 2:

- ① Spie di controllo della tensione delle due fonti di alimentazione S1 e S2:
spia verde: tensione della fonte corretta
spia rossa: tensione della fonte al di fuori dei limiti autorizzati (+12 %),
- ② tasto di scelta della fonte prioritaria:
■: fonte S1 prioritaria,
▬: fonte S2 prioritaria,
- ③ spie di stato della fonte in servizio:
spenta: fonte non utilizzata,
verde: fonte prioritaria in servizio,
gialla: fonte di "riserva" in servizio.
NB: queste due spie si accendono una alla volta,
- ④ spia rossa di difetto del **STS**,
- ⑤ pulsante di tacitazione del segnale acustico,
- ⑥ segnale acustico,
- ⑦ cavi di collegamento del modulo alle fonti di alimentazione S1 e S2,
- ⑧ prese di collegamento delle attrezzature sensibili:
 - **STS 16:** 6 prese di tipo IEC 10 A e 1 presa di tipo IEC 16 A,
 - **STS 1400:** 6 prese di tipo NEMA,
- ⑨ interruttori di protezione in uscita del **STS 16**,
- ⑩ connettore SUB-D 9 pin di comunicazione di tipo UPS S1 proveniente dalla fonte 1,
- ⑪ connettore SUB-D 9 pin di comunicazione di tipo UPS S2 proveniente dalla fonte 2,
- ⑫ connettore SUB-D 9 pin per uscita di comunicazione di tipo Basic,
- ⑬ connettore SUB-D 9 pin per uscita di comunicazione di tipo STS COM (contatti secchi),
- ⑭ selettore di configurazione della tensione di alimentazione del **STS** (versioni Europa),
- ⑮ interruttori di protezione all'ingresso delle due fonti,
- ⑯ spia luminosa "fonti desincronizzate".

Presentazione

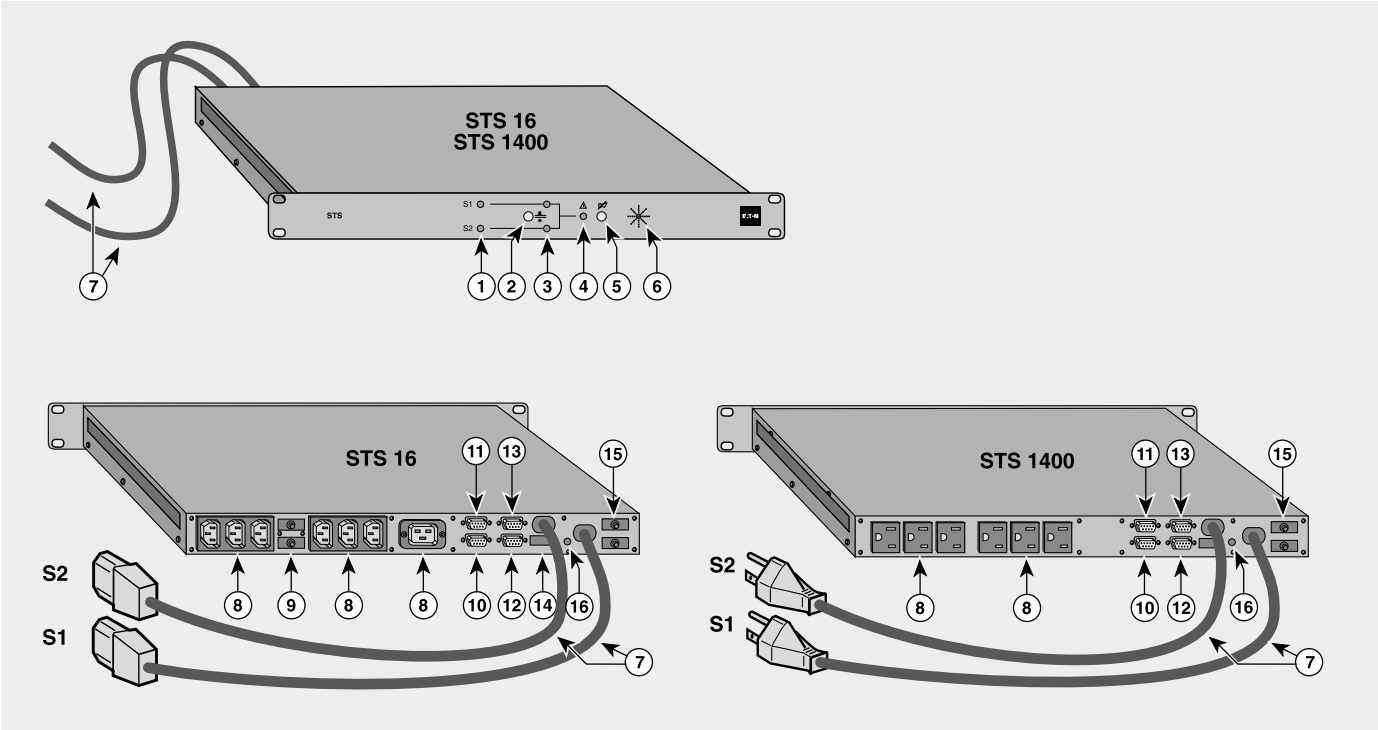


Fig. 2: vista frontale e posteriore dei moduli STS

Configurazione dell'alimentazione

Prima di effettuare il collegamento, accertarsi che le fonti che alimenteranno il modulo **STS** siano effettivamente compatibili con le sue caratteristiche.

STS 16: 208 V - 220 V - 230 V - 240 V.

STS 1400: 120 V.

La configurazione in origine del **STS 16** è di 230 V. Se necessario, adeguare la tensione (208 V, 220 V, 230 V o 240 V) mediante il selettore ⑭ (vedi figura 3). In caso di difetti elettrici, un interruttore assicura la protezione della scatola su ogni fonte.



Il selettore ⑭ deve essere manipolato solo quando il modulo STS è fuori tensione (cavi ⑦ non collegati alla rispettiva fonte).

Una volta correttamente configurato il modulo, collegare i cavi di alimentazione ⑦ alle due fonti.

Per facilitare il collegamento a monte del modulo **STS 16** ad una presa femmina di tipo FR o Schuko, EATON propone, in opzione, un kit di 2 cavi IEC C19/FR-Schuko maschio, di 1,90m di lunghezza, il cui numero di riferimento commerciale è 66397.

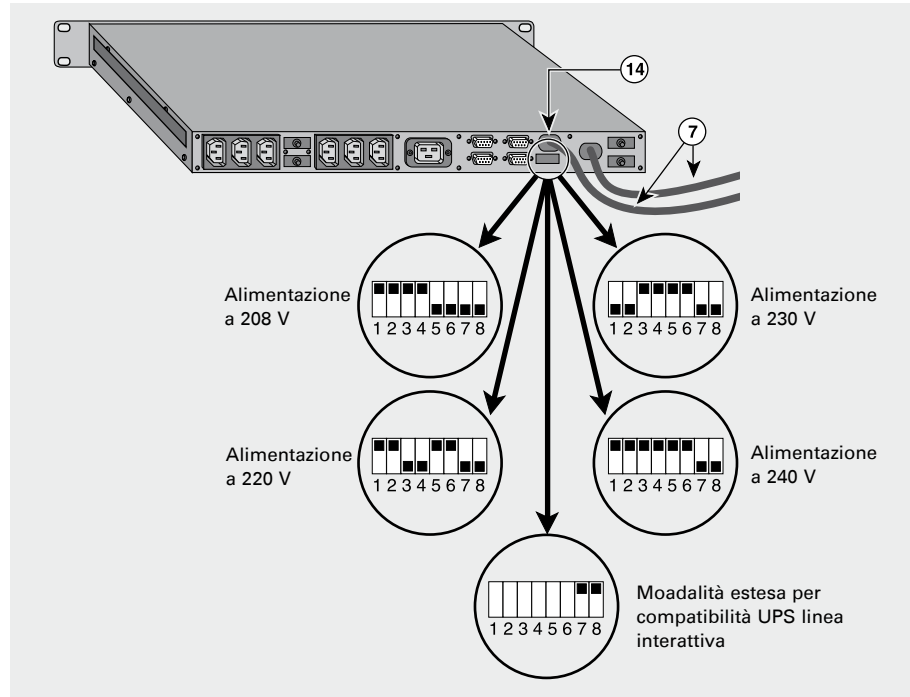


Fig. 3

Installazione

Installazione

In un armadio rack

La figura 4 mostra come installare il modulo **STS** in un rack da 19" mediante le quattro viti M6 da avvitare nei dadi a gabbia posti all'altezza desiderata nei montanti del quadro elettrico.

Poiché il modulo è meno largo del rack, esso non interferisce sulla circolazione del flusso d'aria.



Qualora la temperatura interna dell' armadio superi i 35 °C, sarà necessario aggiungere un ventilatore; in caso contrario, il modulo STS dovrà essere installato all'esterno del rack.

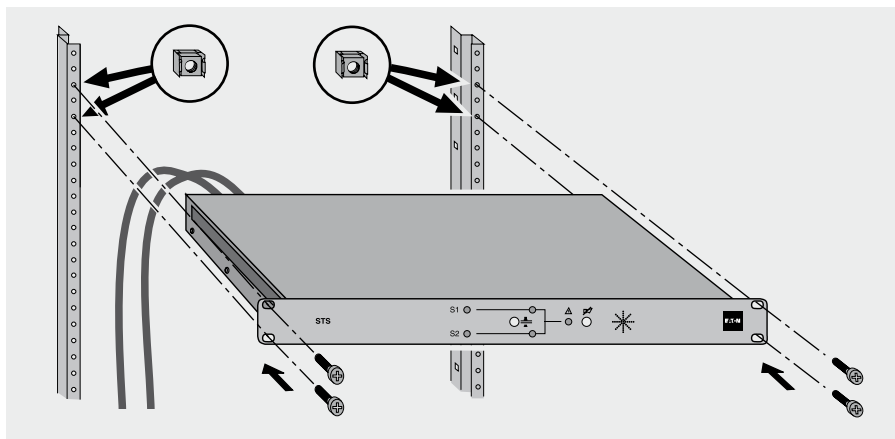


Fig. 4

Su piedini

La figura 5 mostra come incollare i piedini adesivi di mantenimento sotto il modulo **STS** per un'installazione su una superficie piana.

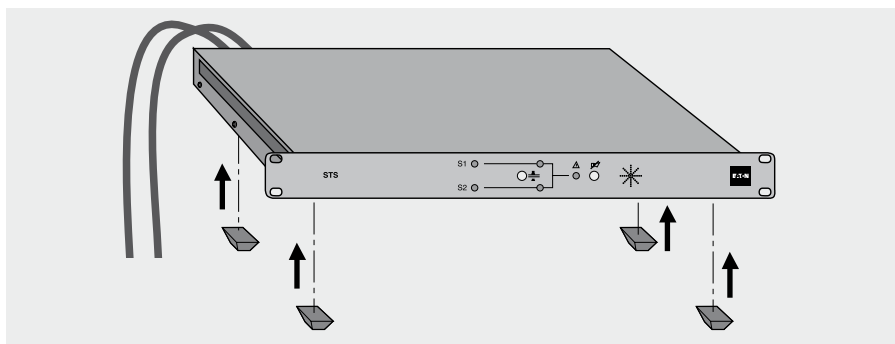


Fig. 5

Allacciamenti

Collegare i cavi ⑦ alle due fonti di alimentazione elettrica (S1 e S2) del STS.

Collegamento con UPS

Collegare i cavi ⑦ ad una delle prese degli UPS.

Il STS sarà sotto tensione non appena una delle fonti S1 o S2 entrerà in servizio.



Gli UPS devono presentare le stesse caratteristiche (potenza, autonomia) ed essere di tipo "ONLINE doppia conversione". In caso di ridondanza a partire da due UPS di tipo "Evolution", consultateci.

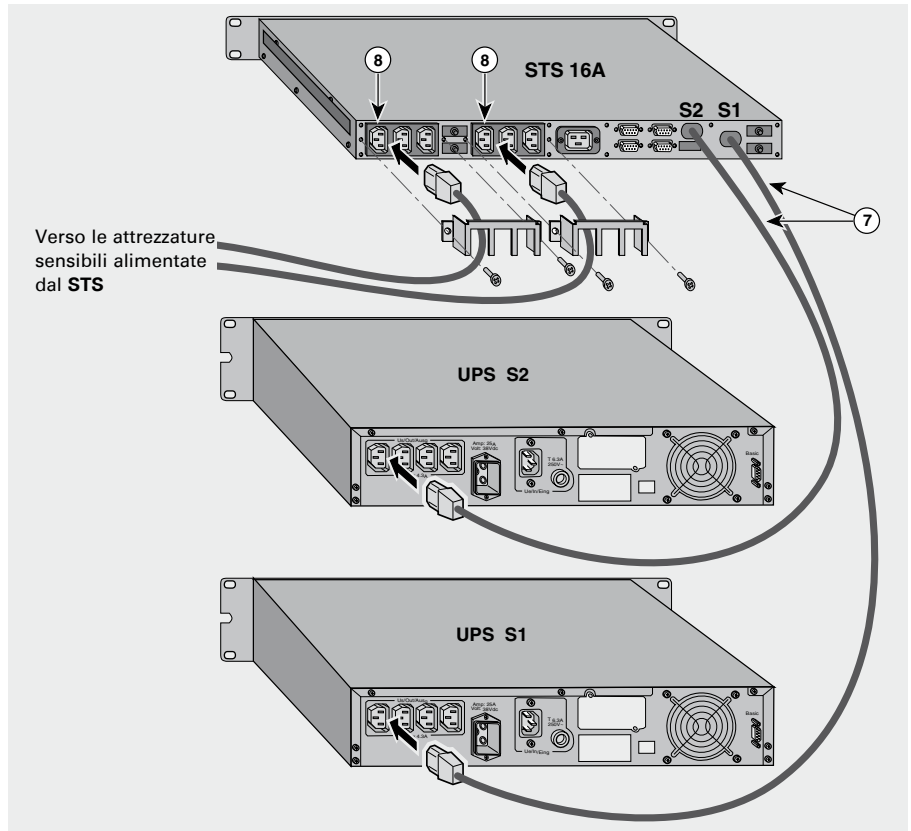


Fig. 6

Installazione

Comunicazione

L'utilizzo delle porte di comunicazione del **STS** è opzionale e non necessario al corretto funzionamento dell'apparecchio.

Il **STS** è dotato di serie di una porta di comunicazione "Basic" che raccoglie le informazioni provenienti dalle due fonti S1 e S2 (ogni UPS deve avere a disposizione una porta "Basic") ed anche di una porta di comunicazione propria "STS COM".

Comunicazione "Basic"

Nel caso di un Pack ad alta disponibilità, la porta di comunicazione Basic **STS** raccoglie le informazioni fornite dalle due UPS S1 e S2. Per rendere questa porta attiva, è necessario collegare le porte di comunicazione UPS S1 e UPS S2 (mediante i cavi forniti in dotazione con il **STS**) rispettivamente alle porte di comunicazione Basic delle UPS S1 e S2 (vedi figura 7).

Le informazioni disponibili sulla porta Basic del **STS** corrispondono a quelle della porta Basic dell'UPS che alimenta l'attrezzatura.

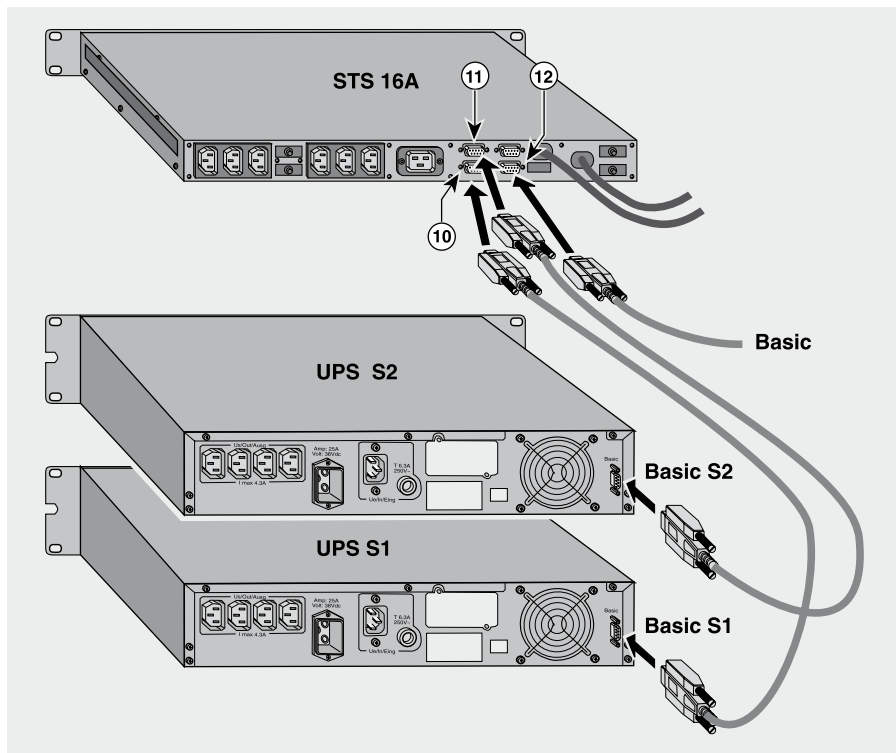


Fig. 7

Installazione

La porta Basic **STS** ⑫ fornisce le seguenti informazioni:

- pin 1: massa,
- pin 4: funzionamento normale,
- pin 5: comune,
- pin 6: funzionamento su by-pass,
- pin 7: preallarme di fine autonomia batteria,
- pin 8: funzionamento su UPS,
- pin 9: funzionamento su batteria.

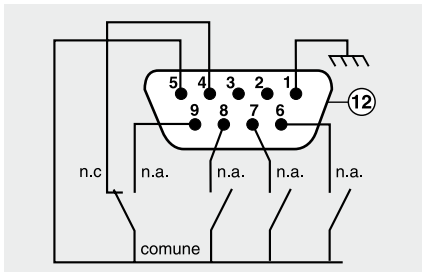


Fig. 8

UPS con "Protocol Interface" (optional)

Questa opzione consente la conversione delle informazioni di tipo Basic nel protocollo della serie RS232. Pertanto, diventa possibile sfruttare le capacità di amministrazione e di arresto del sistema offerte dal software **Solution Pac**.

"MultiSlot" (optional)

Grazie alle soluzioni **MultiSlot**, il sistema **STS** e i due UPS costituiscono un tutt'uno.

Il **MultiSlot**, dotato di due schede di acquisizione MetaUPS, concentra le informazioni provenienti da ogni porta U-Talk i due UPS e dalla porta STS COM del **STS**. L'utilizzo di una scheda di comunicazione U-Talk, J-Bus o SNMP consente una comunicazione ottimale con i sistemi protetti.

Nel vostro caso, l'applicazione si arresterà solo in caso di sparizione completa di energia, ovvero, una volta che le batterie di ogni UPS saranno state utilizzate. Consultare il manuale di utilizzo del **MultiSlot** per il collegamento.

Comunicazione "STS COM"

Questa porta di comunicazione ⑬ fornisce le informazioni di stato sul **STS**.

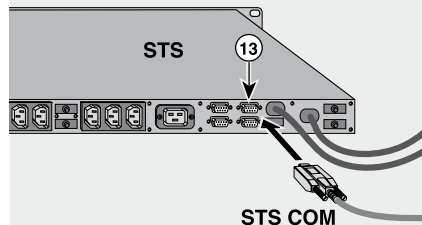


Fig. 9

Spinatura della porta "STS COM":

- pin 1 : massa,
- pin 4 : fonte S2 prioritaria,
- pin 5 : comune,
- pin 6 : fonte S1 in tolleranza,
- pin 7 : fonte S2 in tolleranza,
- pin 8 : nessun difetto nel STS,
- pin 9 : fonte S1 prioritaria.

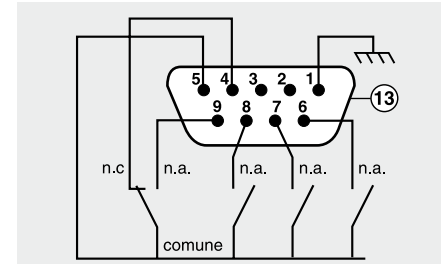


Fig. 10

Potere di interruzione dei relè:
 $V_{max} = 30 V$
 $I_{max} = 100 mA$

n.a.: normalmente aperto,
n.c.: normalmente chiuso.

Utilizzo

Prendiamo il caso in cui la fonte S1 sia prioritaria (tasto ② sollevato).

Le spie ① indicano il livello di tensione delle fonti S1 e S2:

- sono accese di color verde nella gamma +12 %, attorno al valore nominale,
- sono accese di color rosso al di fuori di tale gamma.

Le spie ③ indicano quale è la fonte in servizio:

- è spenta sulla via della fonte non utilizzata,
 - è accesa di color verde sulla via della fonte prioritaria quando è in servizio,
 - è accesa di color giallo sulla via della fonte di "riserva" quando è in servizio.
- Le applicazioni sono alimentate se una delle due spie è accesa.

La spia ③ si accende di color rosso in caso di difetto interno al modulo **STS**: contattare il servizio assistenza EATON. A complemento delle spie, il **segnale acustico ⑥** viene attivato nei seguenti casi:

- fonte S1 o fonte S2 al di fuori delle tolleranze,
- difetto interno al modulo **STS**.

Una volta identificato il problema, l'estinzione del segnale acustico viene effettuata premendo il pulsante ⑤.

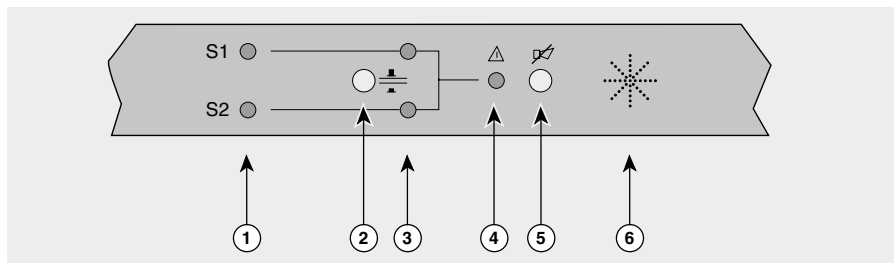


Fig. 11

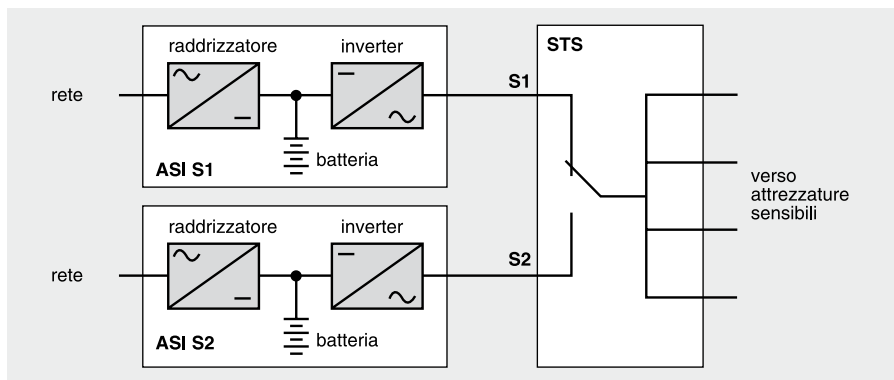


Fig. 12

NB: se si desidera rendere la fonte S2 prioritaria (per la manutenzione della fonte S1 ad esempio), premere il tasto ②.

Interventi in caso di guasti

Visualizzazione	Anomalie	Rimedi
Tutte le spie sono spente sulla faccia anteriore del STS .	Le fonti di alimentazione S1 e S2 sono assenti.	Verificare lo stato delle fonti di alimentazione S1 e S2. Riarmare gli interruttori (15) sulla faccia posteriore del STS (se il difetto non persiste).
Una delle spie di presenza delle fonti di alimentazione (1) è rossa. E la spia rossa di difetto (4) è spenta.	La fonte di alimentazione corrispondente è assente o supera le tolleranze.	Verificare lo stato della fonte interessata. Riarmare l'interruttore (15) sulla faccia posteriore del STS .
Sul STS 16 , le 2 spie di presenza delle fonti di alimentazione (1) sono verdi. La spia rossa di difetto (4) è spenta e l'applicazione non è alimentata.	Sovraccarico sulle prese di uscita.	Riarmare l'interruttore (9).
La spia rossa di difetto (4) è accesa.	Difetto interno del STS .	Contattare il servizio assistenza.
La spia rossa (16) è accesa.	Fonti desincronizzate che causano usura prematura degli elementi di trasferimento del STS .	Controllare il vostro impianto.

Allegati

Glossario

Attrezzature sensibili: apparecchi alimentati e protetti dal modulo **STS**

Basic: protocollo di scambio delle informazioni sugli stati delle fonti S1 e S2

Funzionamento su by-pass: fonte S1 o S2 che fornisce la tensione della rete che l'alimenta

Funzionamento su UPS: fonte S1 o S2 che fornisce la tensione senza interruzione elaborata dall'UPS

Prioritario: fonte di alimentazione S1 o S2 del modulo **STS** scelta come fonte prioritaria con il tasto ②

Riserva: fonte di alimentazione S1 o S2 del modulo **STS** scelta come fonte di riserva con il tasto ②

Selettore: gruppo di 8 interruttori destinati alla scelta della tensione di alimentazione del modulo **STS**

STS COM: protocollo di scambio delle informazioni sullo stato del modulo **STS**, via i contatti secchi

SUB-D 9 pin: tipo di connettore comprendente 9 pin utilizzato per i segnali di comunicazione

UPS: Gruppo statico di continuità

Indice analitico

Alimentazione (caratteristiche):	46
Avvertenze (⚠):	44, 49-50
Imballaggio:	45
Informazioni di comunicazione trasmesse:	52
Interruttori (riarmo):	47, 55
Materiale disponibile:	45
Piedini adesivi:	50
Rack (installazione in un):	50
Scelta della fonte prioritaria:	47, 54
Segnale acustico (funzionamento e disattivazione):	47, 54
Selettore di tensione di alimentazione:	47, 49
Spie (significato):	47, 54
UPS:	46, 51

Advertencia	58
Presentación	
Recepción del material	59
Almacenamiento	59
Reciclado	59
Función	60
Características	60
Vista de conjunto	61
Instalación	
Configuración de la alimentación	63
Instalación	64
Conexiones	65
Comunicación	66
Utilización	68
Reparación	69
Anexos	
Glosario	70
Índice	70

Todos los productos de la gama EATON están protegidos por patentes; ponen en aplicación una tecnología original que no podrá ser utilizada por ningún rival de EATON.

Debido a la evolución de las normas y del material, las características indicadas en este documento solamente nos comprometen si nuestros servicios lo han confirmado previamente.

La reproducción del presente documento se autoriza después de previo acuerdo de EATON, llegado el caso, deberá llevar la mención obligatoria: "Manual de instalación e utilización del módulo **STS** de EATON n° 5102751700".

Advertencia

EATON le agradece su confianza por haber elegido **STS** para garantizar la alta disponibilidad de sus equipos informáticos, lo que le permitirá efectuar más de 1500 maniobras entre fuente prioritaria y fuente de reserva.

La garantía legal de este aparato es de 2 años y cubre únicamente los casos de utilización que respetan las recomendaciones siguientes (*):

- la gama **STS** es apto para proteger únicamente las cargas informáticas, deberá excluirse para cualquier otro tipo de carga (resistiva, inductiva o factor de cresta $>3:1$).
- La distancia mínima entre la fuente (Sistema de alimentación ininterrumpida o transformador) y **STS** deberá ser al menos de 50 m, con una sección máxima de 6 mm². Deben evitarse los circuitos de tipo Canalis.
- Las 2 fuentes de alimentación deberán estar en fase (tenga cuidado de no invertir la Fase y el Neutro): una desincronización (señalada por el indicador luminoso "Site wiring fault") o una diferencia de fase entre las 2 fuentes produciría el desgaste prematuro de los elementos de transferencia.

(*) no se aplica a las fuentes ni a los SAI inferiores a 6 KVA.

Recepción del material

El producto **STS** que usted acaba de adquirir posee los siguientes elementos (véase figura 1):

- el módulo **STS**,
- un manual de instalación e utilización (el presente documento),
- cuatro patas adhesivas,
- cuatro tornillos M6 y cuatro tuercas de jaula,
- dos cables de comunicación.
- dos sistemas de bloqueo de los cables de alimentación de los equipamientos.

Almacenamiento

En caso de almacenamiento antes de su puesta en servicio, conserve su módulo **STS** en su embalaje de origen protegido contra la humedad (temperatura de almacenamiento: de -40 °C a +70 °C).

Reciclado del embalaje

En lo que se refiere al desecho del embalaje, tenga la amabilidad de conformarse con las disposiciones legales vigentes.

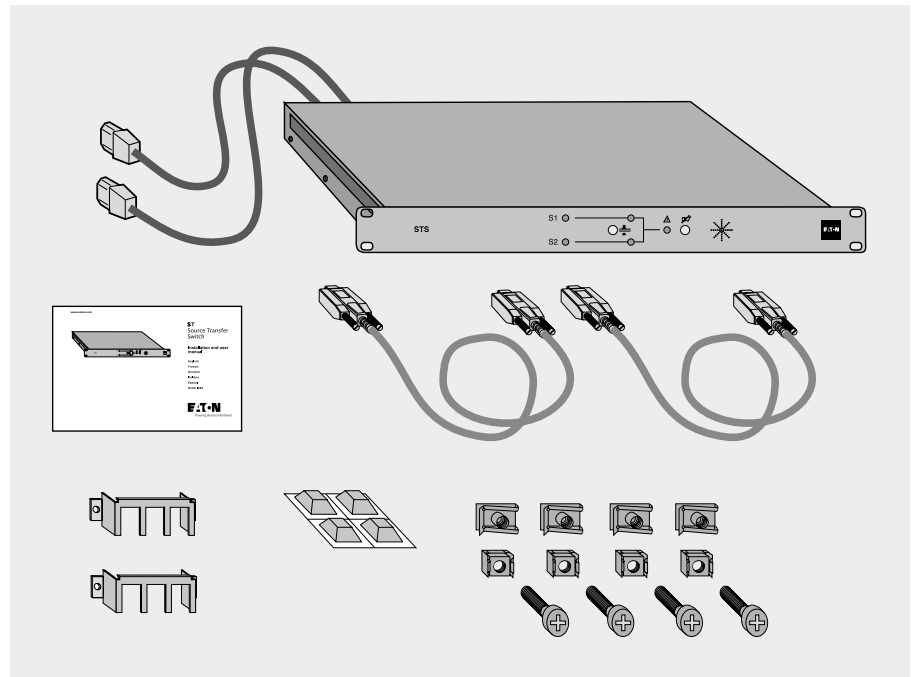


Fig. 1

Presentación

Función

Para garantizar el funcionamiento ininterrumpido de sus equipos sensibles, EATON ha desarrollado STS.

El sistema de transferencia de fuente **STS** ofrece una respuesta sencilla y eficaz administrando la redundancia de la alimentación a partir de dos fuentes independientes.

STS permite una transferencia sin desconexión (< 6 milisegundos), automática o dirigida manualmente desde una fuente de alimentación principal (denominada igualmente prioritaria), hacia una fuente de alimentación secundaria (denominada fuente de reserva). Usted es libre de elegir la fuente designada como prioritaria, en ese caso la otra fuente se convertiría en "reserva". En caso de fallo, la transferencia se realiza automática e instantáneamente.

Se pasa automáticamente a la fuente de reserva cuando la tensión de la fuente prioritaria varía de más del 12 % del valor nominal. La vuelta a la fuente prioritaria se efectúa automáticamente cuando esta tensión entra de nuevo en el nivel de la tolerancia ± 12 %.

Para garantizar una máxima protección de los equipos sensibles conectados, las dos fuentes serán preferentemente dos SAI (Sistema de Alimentación Ininterrumpida) de tipo "on line". El módulo **STS** puede alimentarse igualmente por una SAI y otra fuente, o por dos otras fuentes de salidas sinusoidales (red eléctrica, grupo electrógeno,...).

Características

Las características del módulo **STS** son las siguientes:

- versiones 208/220/230/240 V (tensión de entrada): **STS 16**,
- versión 120 V (tensión de entrada): **STS 16**,
- corriente de entrada: 16 A (**STS 16**), o 12 A (**STS 1400**),
- protección por interruptores automáticos térmicos 16 A o 12 A según las versiones,
- umbral de oscilación entre fuente prioritaria y fuente de reserva: ± 12 %,
- temperatura máxima de utilización: 35 °C,
- dimensiones : 1U x 19" (44,45 x 482,6 mm),
- peso : 5 kg.

Vistas de conjunto

La figura 2 muestra el detalle de las caras frontal y trasera de las diferentes versiones de **STS**.

Leyenda de la figura 2:

- ① indicadores de control de tensión de las dos fuentes de alimentación S1 y S2:
indicador luminoso verde: tensión de la fuente correcta,
indicador luminoso rojo: tensión de la fuente fuera de los límites autorizados ($\pm 12\%$),
- ② botón de selección de la fuente prioritaria:
■: fuente S1 prioritaria,
■: fuente S2 prioritaria,
- ③ indicadores de estado de la fuente en servicio:
apagado: fuente no utilizada,
verde: fuente prioritaria en servicio,
amarillo: fuente de "reserva" en servicio.
Nota: solamente uno de los indicadores se encuentra encendido a la vez,
- ④ indicador luminoso rojo de fallo de **STS**,
- ⑤ pulsador de parada de buzzer,
- ⑥ buzzer,
- ⑦ cables de conexión del módulo con las fuentes de alimentación S1 y S2,

- ⑧ tomas de conexión de los equipos sensibles:
 - **STS 16:** 6 tomas de tipo IEC 10 A y 1 toma de tipo IEC 16 A,
 - **STS 1400:** 6 tomas de tipo NEMA,
- ⑨ interruptores automáticos de protección a la salida de **STS 16**,
- ⑩ conector SUB-D 9 puntos de comunicación de tipo UPS S1 procedente de la fuente 1,
- ⑪ conector SUB-D 9 puntos de comunicación de tipo UPS S2 procedente de la fuente 2,
- ⑫ conector SUB-D 9 puntos para salida de comunicación de tipo Basic,
- ⑬ conector SUB-D 9 puntos para salida de comunicación de tipo STS COM (contactos secos),
- ⑭ selector de configuración de la tensión de alimentación de **STS** (versiones europeas),
- ⑮ interruptores automáticos de protección en la entrada de las fuentes,
- ⑯ indicador luminoso de señalización "fuentes desincronizadas".

Presentación

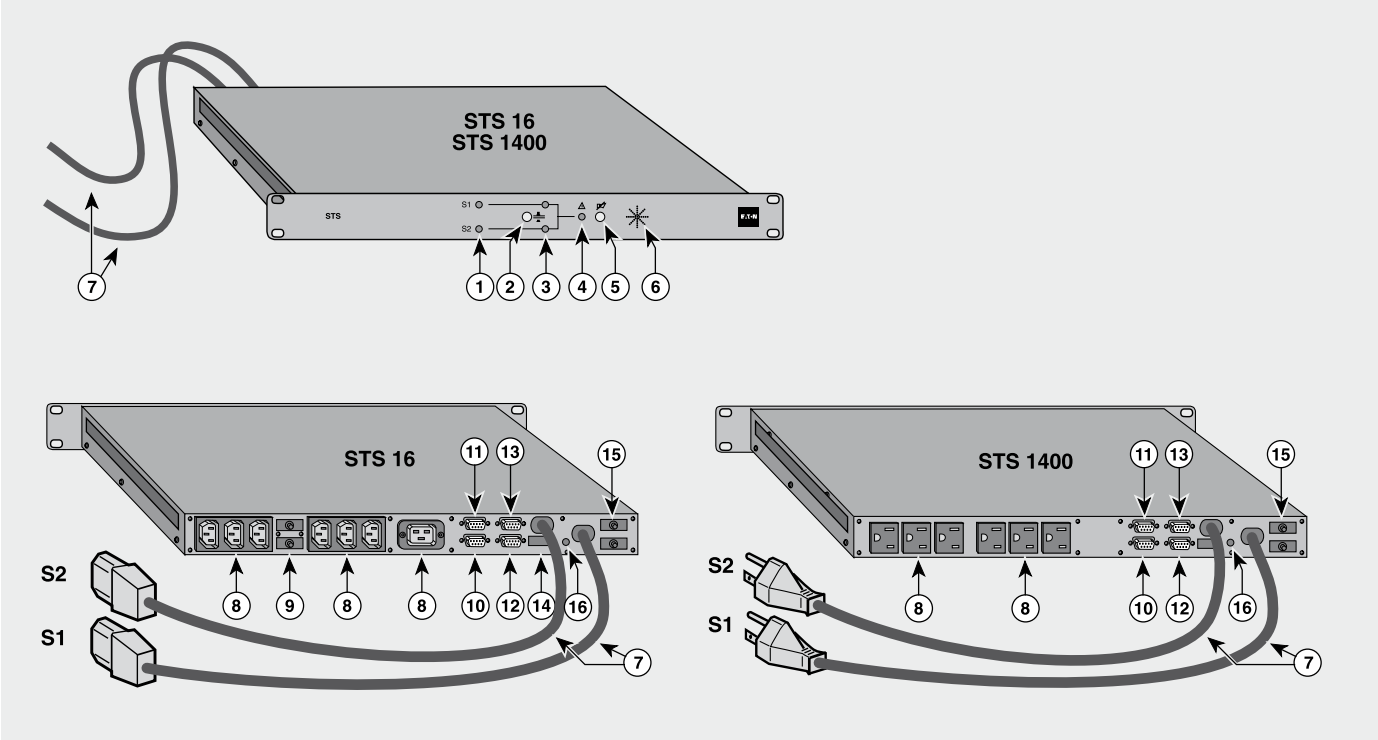


Fig. 2: detalle de las caras frontal y trasera de las diferentes versiones de STS

Configuración de la alimentación

Antes de llevar a cabo la conexión asegúrese de que las fuentes que van a alimentar el módulo **STS** sean bien compatibles con sus características.

STS 16: 208 V - 220 V - 230 V - 240 V.

STS 1400: 120 V.

La configuración "fabrica" de **STS 16** es de 230 V. Si fuera necesario, efectúe la adaptación de la tensión necesaria (208 V, 220 V, 230 V, o 240 V) mediante el selector (14) (véase figura 3).

En caso de fallos eléctricos, un interruptor automático realiza la protección del cofre en cada una de las fuentes.



El selector (14) debe manipularse únicamente cuando el módulo STS se encuentra fuera de tensión (cables (7) no conectados a su fuente).

Una vez que el módulo esté correctamente configurado, conecte los cables de alimentación (7) a las dos fuentes.

Para facilitar la conexión aguas arriba de STS 16 en una toma hembra de tipo FR o Schuko, EATON propone opcionalmente un kit de 2 cables IEC C19/FR-Schuko macho de 1,90 m de longitud, con la referencia comercial 66397.

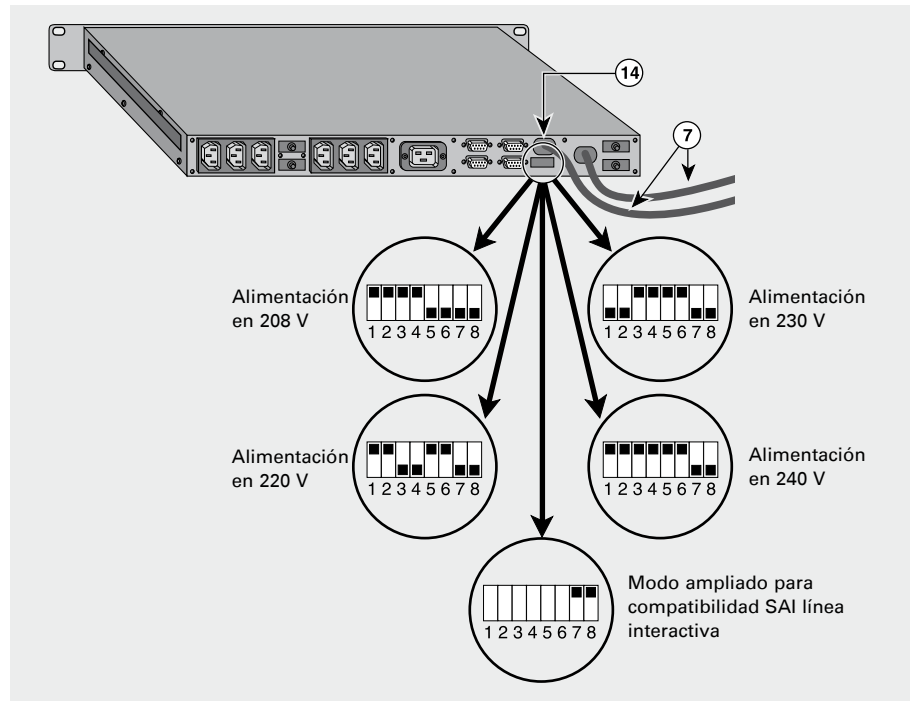


Fig. 3

Instalación

En un hueco

La figura 4 demuestra como deberá instalarse el módulo **STS** en un hueco 19" mediante cuatro tornillos M6 atornillados en las tuercas-jaula colocadas a la altura deseada en los montantes del armario.

Siendo que el módulo es menos ancho que el hueco, no se perturba la circulación de los flujos de aire.



Si la temperatura interna del hueco sobrepasa 35 °C, será necesario verificarla, si no el módulo STS deberá instalarse al exterior del hueco.

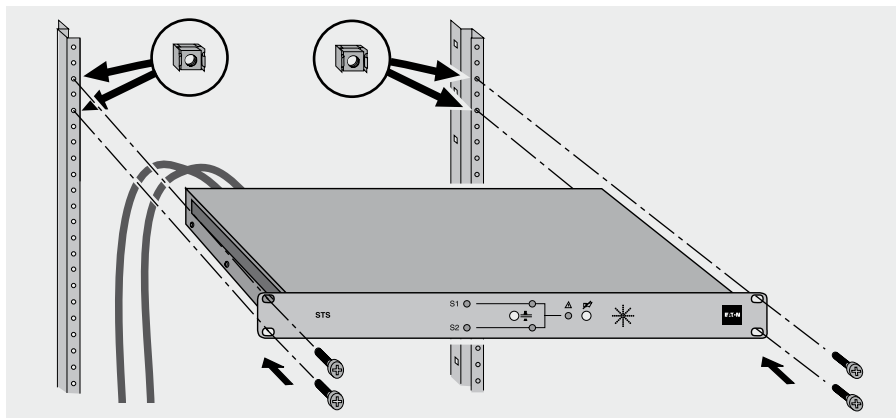


Fig. 4

Sobre patas

La figura 5 demuestra la manera de pegar las patas adhesivas de sujeción bajo el módulo **STS** para una instalación de plano.

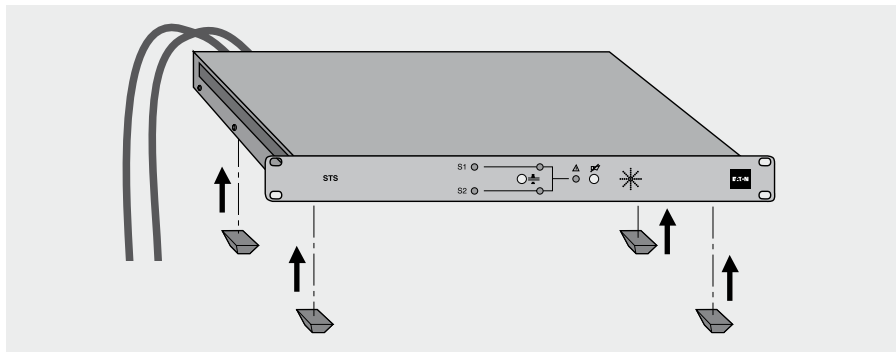


Fig. 5

Conexiones

Conectar los cables ⑦ a las dos fuentes de alimentación eléctrica (S1 y S2) de **STS**.

Enlace con los SAI

Conectar los cables ⑦ en una de las tomas del SAI.

STS estará bajo tensión en cuanto una de las fuentes S1 o S2 se encuentre en servicio.



Los SAI deben tener las mismas características (potencia, autonomía) y usar la topología "ON-LINE doble conversión".
Consúltenos en caso de redundancia hecha a partir de dos SAI de tipo "Evolution".

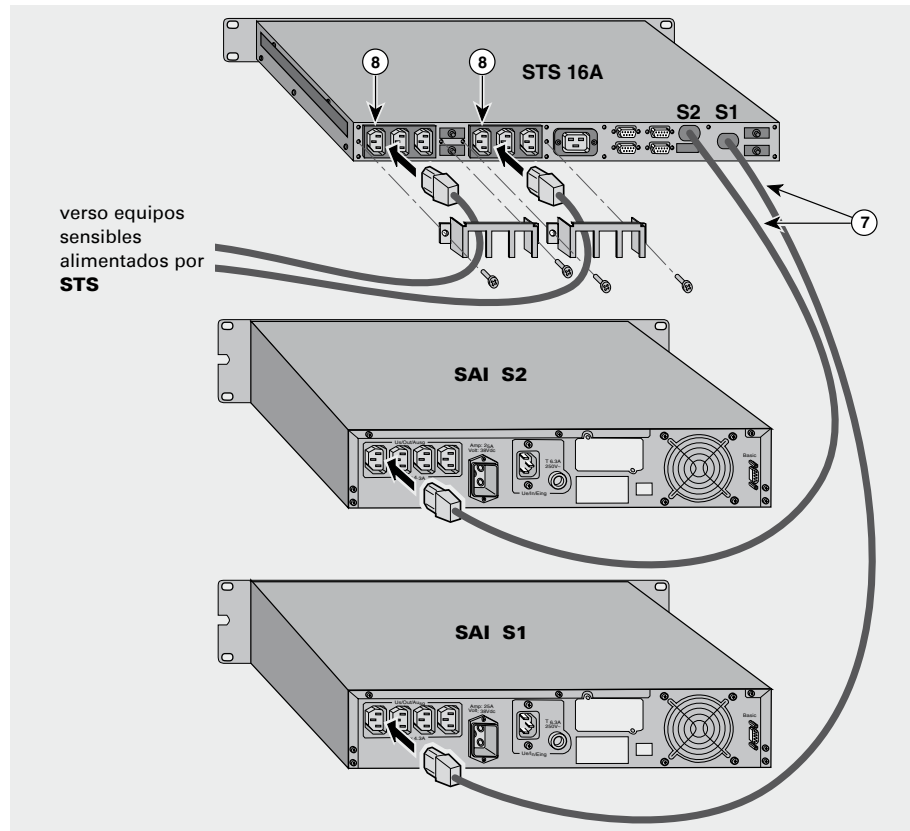


Fig. 6

Instalación

Comunicación

La utilización de los puertos de comunicación de **STS** se encuentra en opción y no es necesaria para su correcto funcionamiento.

STS posee en estándar un puerto de comunicación "Basic" que reagrupa las informaciones procedentes de las dos fuentes S1 y S2 (cada SAI debe tener un puerto Basic disponible), así como de un puerto de comunicación que le es propio "STS COM".

Comunicación "Basic"

En caso de un Pack de alta disponibilidad, el puerto de comunicación Basic **STS** reagrupa las informaciones proporcionados por los dos SAI S1 y S2. Para que este puerto sea activo, es necesario conectar los puertos de comunicación UPS S1 y UPS S2 (mediante cables entregados con **STS**) a los puertos de comunicación Basic de los SAI S1 y S2 respectivamente (véase figura 7).

La información disponible en el puerto Basic de **STS** es la del puerto Basic del SAI que alimenta los equipos.

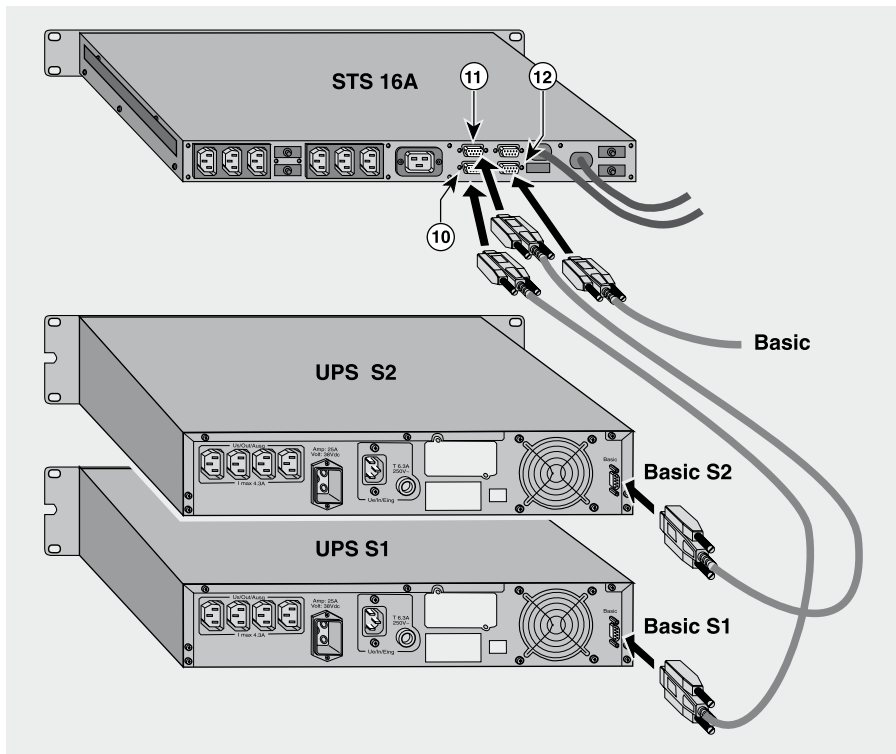


Fig. 7

El puerto Basic **STS** ⑫ proporciona las siguientes informaciones:

- husillo 1: masa,
- husillo 4: funcionamiento normal,
- husillo 5: común,
- husillo 6: funcionamiento con by-pass,
- husillo 7: alarma previa de final de autonomía batería,
- husillo 8: funcionamiento en SAI,
- husillo 9: funcionamiento con batería.

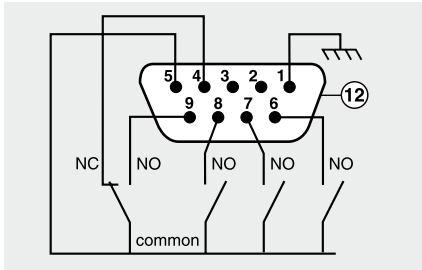


Fig. 8

SAI con "Protocolo Interfaz" (opcional)

Esta opción permite convertir la información de tipo Basic en protocolo serie RS232. De este modo, podrá explotar las capacidades de administración y de paro del sistema del software **Solution Pac**.

"MultiSlot" (opción)

Con las soluciones **MultiSlot**, su sistema **STS**, así como los dos AS1 solamente representarán uno solo.

MultiSlot equipado con dos tarjetas de adquisición MetaUPS, reagrupa las informaciones procedentes de cada puerto U-Talk de los dos SAI y del puerto STS Com de **STS**. La utilización de una tarjeta de comunicación U-Talk, J-Bus o SNMP, permite una comunicación optimizada con los sistemas protegidos.

En su caso, su aplicación se parará únicamente si desapareciese completamente la energía, es decir, una vez que las baterías de cada SAI se hayan utilizado. Consulte el manual de utilización de **MultiSlot** para el modo de conexión.

Comunicación "STS COM"

Este puerto de comunicación ⑬ transmite las informaciones de los estados sobre **STS**.

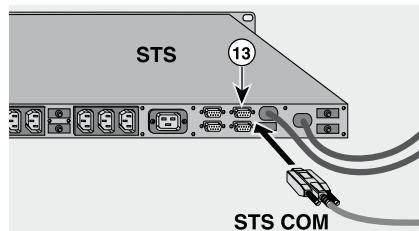


Fig. 9

Brochado del puerto "STS COM":

- husillo 1: masa,
- husillo 4: fuente S2 prioritaria,
- husillo 5: común,
- husillo 6: fuente S1 en tolerancia,
- husillo 7: fuente S2, en tolerancia,
- husillo 8: ningún fallo en STS,
- husillo 9: fuente S1 prioritaria.

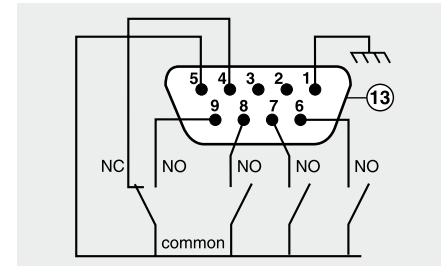


Fig. 10

Poder de corte de los relés:

$V_{max} = 30 \text{ V}$

$I_{max} = 100 \text{ mA}$

n.a.: normalmente abierto

n.c.: normalmente cerrado

Utilización

Nos encontramos en el caso en que la fuente S1 es prioritaria (botón ② relación detallada).

Los indicadores luminosos ① indican el nivel de tensión de las fuentes S1 y S2:

- están encendidos en verde en el campo de $\pm 12\%$ en torno al valor nominal,
- están encendidos en rojo fuera de este campo,

Los indicadores luminosos ③ señalan la fuente que se encuentra en servicio:

- están apagados en la vía de la fuente no utilizada,
- están encendidos en verde en la vía de la fuente prioritaria cuando esta se halla en servicio,
- están encendidos en amarillo en la vía de la fuente de "reserva" cuando esta se encuentra en servicio.

Sus aplicaciones están alimentadas si uno de los dos indicadores está encendido.

El indicador luminoso ④ se enciende en rojo en caso de fallo interno en el módulo **STS**: póngase en contacto con el servicio posventa EATON.

Como complemento de los indicadores, el **buzzer ⑥** suena en los siguientes casos:

- fuente S1 o fuente S2 fuera de las tolerancias,
- fallo interno del módulo **STS**.

Una vez que se haya identificado el problema, la extinción del buzzer se realiza apoyando en el pulsador ⑤.

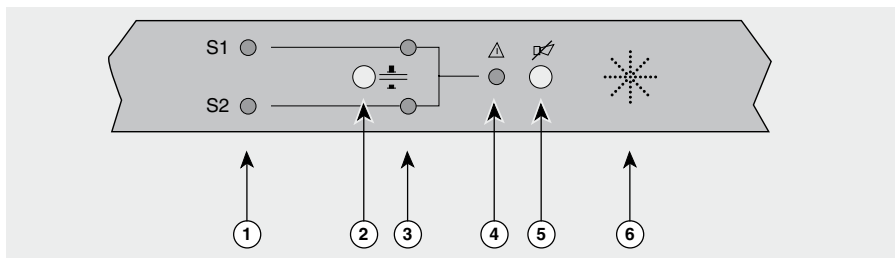


Fig. 11

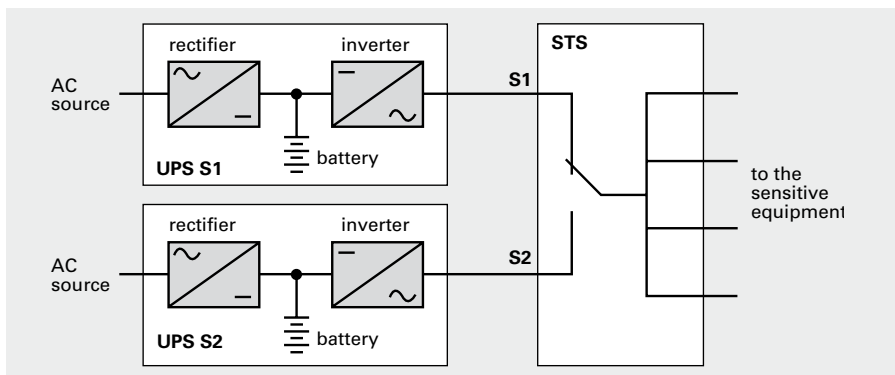


Fig. 12

Nota: si se desea que la fuente S2 sea la prioritaria (para el mantenimiento de la fuente S1 por ejemplo), pulse en el botón ②.

Reparación

Visualización	Anomalías	Soluciones
Todos los indicadores luminosos están apagados en la cara frontal de STS .	Las fuentes de alimentación S1 y S2 están ausentes.	Verifique el estado de las fuentes de alimentación S1 y S2. Rearme los interruptores ⑮ en la parte posterior de STS (si el fallo no persiste).
Uno de los indicadores luminosos de presencia de las fuentes de alimentación ① está en rojo. Y el indicador luminoso rojo de fallo ④ está apagado.	La fuente de alimentación correspondiente está ausente o fuera de tolerancia.	Verifique el estado de la fuente concernida. Rearme el interruptor automático ⑮ en la parte posterior de STS .
En el STS 16 los 2 indicadores luminosos de presencia de las fuentes de alimentación ① están en verde. El indicador luminoso rojo de fallo ④ se encuentra apagado y la aplicación no está alimentada.	Sobrecarga en las tomas de salida. .	Rearme el interruptor automático ⑨.
El indicador luminoso rojo de fallo ④ está encendido.	Fallo interno de STS .	Póngase en contacto con el servicio posventa.
El indicador luminoso rojo ⑯ está encendido.	Fuentes desincronizadas, generando un desgaste prematuro de los elementos de transferencia de STS .	Comprobar su instalación.

Anexos

Glosario

Basic: protocolo de intercambio de informaciones sobre el estado de las fuentes S1 y S2

Equipos sensibles: aparatos alimentados y protegidos por el módulo **STS**

Funcionamiento con by-pass: fuente S1 o S2 suministrando la tensión de la red que lo alimenta

Funcionamiento en SAI: fuente S1 o S2 suministrando la tensión sin interrupción elaborada por el SAI

Prioritario: fuente de alimentación S1 o S2 del módulo **STS** elegida como fuente prioritaria mediante el botón ②

Reserva: fuente de alimentación S1 o S2 del módulo **STS** elegida como fuente de reserva mediante el botón ②

SAI: Sistema de Alimentación Ininterrumpida

Selector: conjunto de 8 interruptores destinados a seleccionar la tensión de alimentación del módulo **STS**

STS COM: protocolo de intercambio de informaciones sobre el estado del módulo **STS** vía los contactos secos

SUB-D 9 puntos: tipo de conector poseyendo 8 husillos utilizado para las señales de comunicación.

Indice

Advertencias (⚠):	58, 63-64
Alimentación (características):	60
Buzzer (funcionamiento y extinción):	61, 68
Embalaje:	59
Hueco (instalación en):	64
Indicadores luminosos (significación):	61, 68
Informaciones de comunicación entregadas:	66
Interruptores automáticos (rearme):	61, 69
Material disponible:	59
Patas adhesivas:	64
SAI:	60, 65
Selección de la fuente prioritaria:	61, 68
Selector de tensión de alimentación:	61, 63

Inhoudsopgave

Waarschuwing	72
Beschrijving	
Aflevering van de apparatuur	73
Opslag	73
Recycling	73
Functie	74
Technische specificaties	74
Overzichtsschema's	75
Installatie	
Instellen van de voedingsspanning	77
Installeren	78
Aansluiten	79
Communicatie	80
Gebruik	82
Storingen verhelpen	83
Bijlagen	
Woordenlijst	84
Index	84

Alle producten van het EATON leveringsprogramma zijn beschermd door patenten. Zij maken gebruik van een originele technologie die door geen enkele concurrent van EATON kan worden toegepast.

Wegens de voortdurende ontwikkeling van normen en materialen zijn de in dit document vermelde technische specificaties slechts bindend na onze voorafgaande schriftelijke bevestiging.

Vermenigvuldigen van dit document is toegestaan na schriftelijke toestemming van EATON en onder verplichte vermelding van: "Installatie- en gebruikershandleiding van de **STS** module van EATON nr. 5102761700".

Waarschuwing

EATON dankt u voor uw vertrouwen. U heeft gekozen voor de **STS** om een optimale beschikbaarheid van uw IT-apparatuur te garanderen, wat neerkomt op meer dan 1500 schakelingen tussen primaire en noodenergievoorziening.

De wettelijke garantie op dit apparaat is 2 jaar. De garantie dekt alleen gebruiksomstandigheden waarbij de volgende voorschriften inachtgenomen zijn (*):

- Alleen IT-apparatuur kan met de **STS** reeks beveiligd worden. Alle andere typen belastingen (ohmse en inductieve belastingen of belastingen met piekfactor >3:1) moeten worden uitgesloten.
- De minimumafstand tussen de bron (UPS of transformator) en de **STS** is 50 m, met een maximale kabeldiameter van 6 mm². Circuits van het type Canalis mogen niet gebruikt worden.
- De 2 energiebronnen moeten in fase zijn (let op fase/nul-omkering): een desynchronisatie (gesignaleerd door de "Site wiring fault" LED-indicator) of een faseverschil tussen de 2 energiebronnen zijn factoren van voortijdige slijtage van de schakelementen.

(*): niet van toepassing op energiebronnen en omvormers < 6 KVA.

Aflevering van de apparatuur

De **STS** die u net heeft aangeschaft bestaat uit de volgende onderdelen (zie figuur 1):

- de **STS**-module,
- een installatie- en gebruikershandleiding (dit document),
- vier zelfklevende pootjes,
- vier M6-schroeven en vier hoge vierkantmoeren,
- twee communicatiekabels,
- twee vergrendelingssystemen voor de voedingskabels van de te beveiligen apparatuur.

Opslag

Indien de **STS** voor gebruik wordt opgeslagen moet het apparaat in de oorspronkelijke verpakking worden bewaard in een vochtvrije ruimte (opslagtemperatuur: -40 °C tot +70 °C).

Recyclen van verpakking

Neem voor de afvalverwerking van de verpakking strikt de geldende regelgeving in acht.

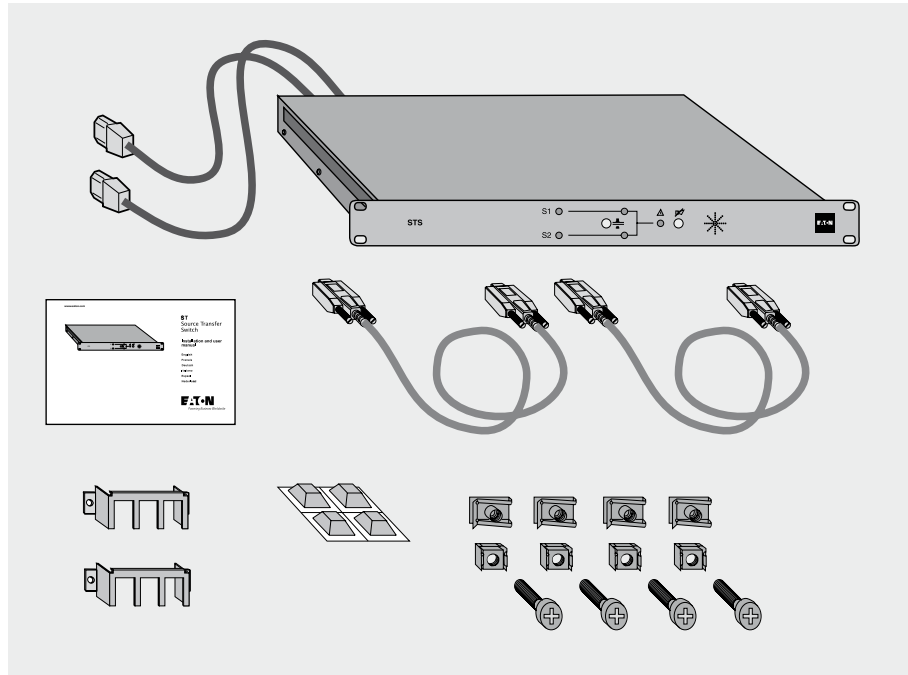


Fig. 1

Beschrijving

Functie

EATON heeft de **STS** ontwikkeld om een ononderbroken werking van uw gevoelige apparatuur te garanderen. Het **STS** source transfer system biedt een eenvoudige en doeltreffende oplossing door de redundantie van de stroomvoorziening te verzorgen vanuit twee onafhankelijke stroomvoorzieningen.

De **STS** maakt het mogelijk zonder onderbreking (< 6 milliseconden) automatisch of handmatig over te schakelen van een hoofdstroomvoorziening (ook primaire voeding genoemd) naar een secundaire stroomvoorziening (of noodvoeding). U kunt zelf kiezen welke stroomvoorziening primair is, de andere stroomvoorziening wordt dan automatisch als "noodvoeding" aangemerkt. In geval van storing wordt er onmiddellijk en automatisch overgeschakeld.

Er wordt automatisch op noodvoeding overgeschakeld als de spanning van de primaire voeding meer dan 12% afwijkt van de nominale waarde. De terugkeer naar primaire voeding geschiedt automatisch als de spanning weer binnen het tolerantiegebied van $\pm 12\%$ valt.

Om een maximale beveiliging van de aangesloten gevoelige apparatuur te garanderen moeten de twee stroomvoorzieningen bij voorkeur bestaan uit twee UPS-systemen van het type "on line". Maar de **STS** kan ook van stroom worden voorzien door een UPS en een andere stroomvoorziening, of door twee andere stroomvoorzieningen met sinusoidalen uitgangen (netaansluiting, aggregaat, enz.).

Technische specificatie

Technische specificaties van de **STS**:

- 208/220/230/240 V-uitvoeringen (ingangsspanning): **STS 16**,
- 120 V-uitvoering (ingangsspanning): **STS 1400**,
- ingangsstroom: 16 A (**STS 16**) of 12 A (**STS 1400**),
- beveiliging door middel van thermische stroomonderbrekers 16 A of 12 A afhankelijk van uitvoering,
- omschakelgrens van primaire naar noodvoeding: $\pm 12\%$,
- maximale gebruikstemperatuur: 35 °C,
- afmetingen: 1U x 19" (44,45 x 482,6 mm),
- gewicht: 5 kg.

Overzichtsschema's

Figuur 2 geeft de voor- en achteraanzichten met de detailpunten van de verschillende **STS**-uitvoeringen.

Verklarende tekst bij figuur 2:

① signalerings-LED's van de spanning van de twee stroomvoorzieningen S1 en S2:

groene LED: voedingsspanning correct,
rode LED: voedingsspanning buiten toegestane grenswaarden ($\pm 12\%$),

② keuzeschakelaar voor kiezen van primaire voeding:

■: stroomvoorziening S1 primair,

■: stroomvoorziening S2 primair,

③ status-LED's van de voeding die in bedrijf is:

uit: voeding niet in gebruik,

groen: primaire voeding in bedrijf,

geel: noodvoeding in bedrijf,

N.B.: deze LED's kunnen niet tegelijk branden,

④ rode storings-LED van de **STS**,

⑤ drukknop voor afzetten van de buzzer,

⑥ buzzer,

⑦ kabels voor aansluiten van de **STS** op de stroomvoorzieningen S1 en S2,

⑧ ingangen voor aansluiten van de gevoelige apparatuur:

● **STS 16:** 6 ingangen type IEC 10 A, 1 ingang type IEC 16 A,

● **STS 1400:** 6 ingangen type NEMA,

⑨ beveiliging d.m.v. stroomonderbrekers op de uitgang van de **STS 16**,

⑩ 9-pins sub-D-connector voor communicatie type UPS S1 afkomstig van stroomvoorziening 1,

⑪ 9-pins sub-D-connector voor communicatie type UPS S2 afkomstig van stroomvoorziening 2,

⑫ 9-pins sub-D-connector voor communicatie-uitgang type Basic,

⑬ 9-pins sub-D-connector voor communicatie-uitgang type STS COM (potentiaalvrije contacten),

⑭ keuzeschakelaar voor instellen van de voedingsspanning van de **STS** (uitvoeringen bestemd voor Europa),

⑮ beveiliging d.m.v. stroomonderbrekers op de ingang van beide stroomvoorzieningen,

⑯ "energiebronnen gedesynchroniseerd" LED-indicator.

Beschrijving

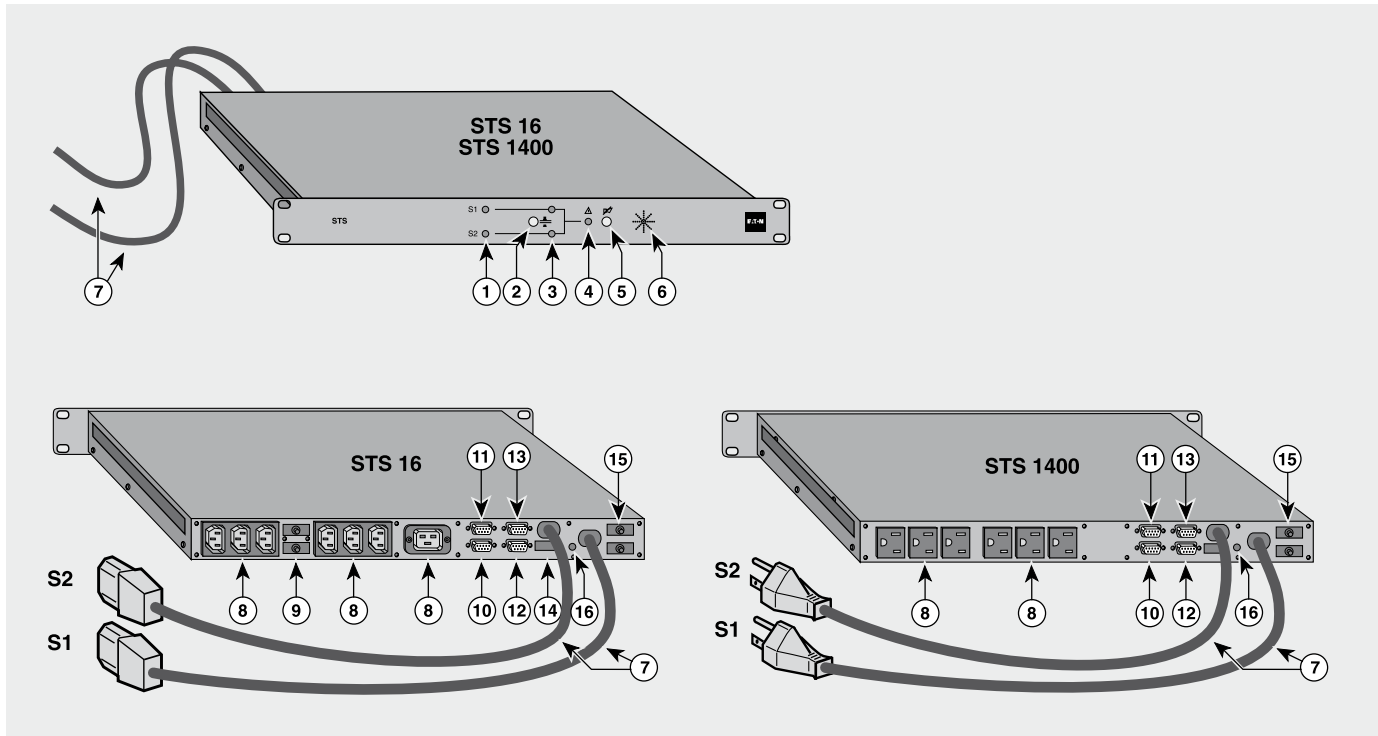


Fig. 2: voor- en achteraanzicht van de diverse STS uitvoeringen

Instellen van de voedingsspanning

Voordat er wordt aangesloten moet worden gecontroleerd of de stroomvoorzieningen die de **STS** van stroom gaan voorzien compatibel zijn met de technische specificaties.

STS 16: 208 V - 220 V - 230 V - 240 V.

STS 1400: 120 V.

De instelling "af fabriek" van de **STS 16** is 230 V.

De spanning kan desgewenst worden aangepast (208 V, 220 V of 240 V) met behulp van de keuzeschakelaar ⑭ (zie figuur 3).

Bij elektrische storingen wordt de kast beveiligd door stroomonderbrekers op beide stroomvoorzieningen.



De keuzeschakelaar ⑭ mag alleen bediend worden als de STS niet onder spanning staat (kabels ⑦ niet aangesloten op de respectieve stroomvoorzieningen).

Als de **STS** naar wens is ingesteld kunnen de kabels ⑦ op de twee stroomvoorzieningen worden aangesloten.

Om de STS 16 gemakkelijk stroomopwaarts aan te sluiten op een vrouwelijke connector van het type FR

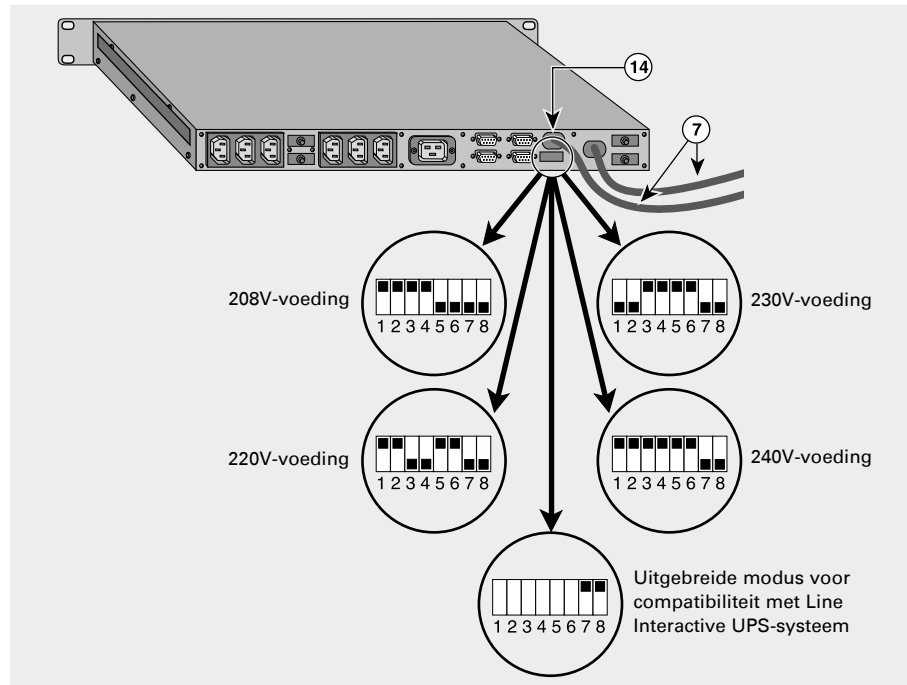


Fig. 3

of Schuko, levert EATON een optionele bedradingsset met 2 kabels IEC C19/FR-Schuko mannelijk, met een lengte van 1,90 m, bestelnummer 66397.

Installatie

Installeren

In een rek

Figuur 4 laat zien hoe de **STS** in een 19-inch-rek wordt geïnstalleerd door de module op de gewenste hoogte in de kast vast te schroeven met behulp van de vier M6-schroeven en de hoge vierkantmoeren.

De module is smaller dan het rek, zodat de lucht vrij kan circuleren.



Als de temperatuur binnen het rek hoger is dan 35 °C, moet het rek geventileerd worden of moet de STS buiten het rek geïnstalleerd worden.

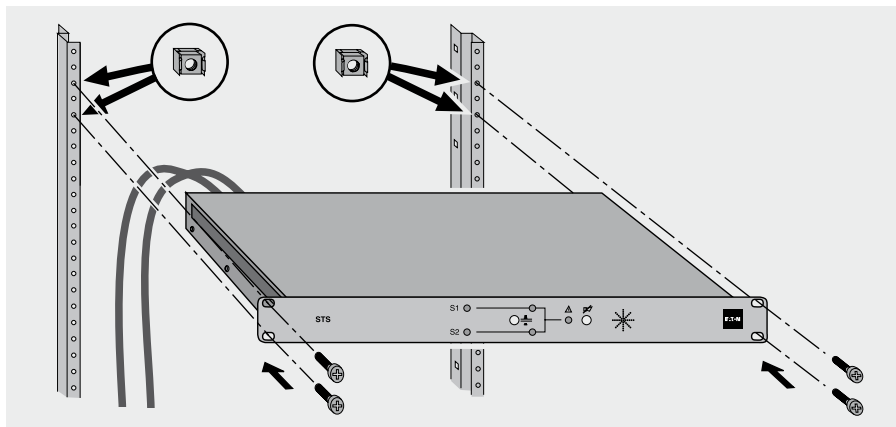


Fig. 4

Vrijtaand

Figuur 5 laat zien hoe de zelfklevende pootjes onder de **STS** worden aangebracht als de kast vrijstaand wordt geplaatst.

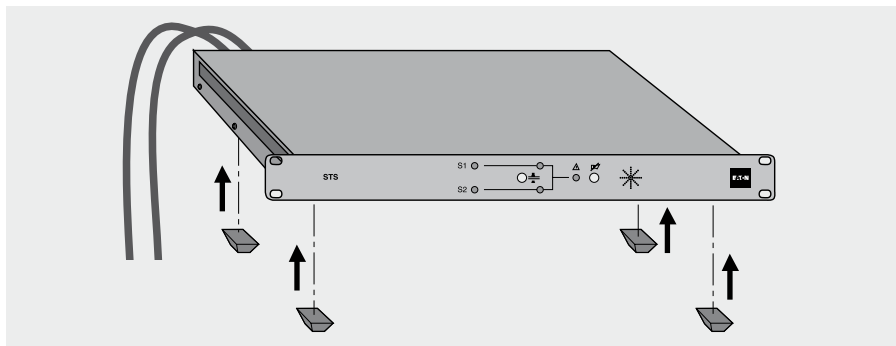


Fig. 5

Aansluiten

Sluit de kabels ⑦ aan op de twee elektrische stroomvoorzieningen (S1 en S2) van de STS.

Aansluiten op de UPS-systemen

Sluit de kabels ⑦ aan op één van de ingangen van de UPS.

De STS is onder spanning zodra één van beide stroomvoorzieningen S1 of S2 in bedrijf is.



De UPS-systemen moeten dezelfde specificaties hebben (vermogen, autonomie) en daarnaast ook de "dubbele conversie on-line topologie" bieden.

Bij redundantie met twee UPS-systemen van het type "Evolution": ons raadplegen.

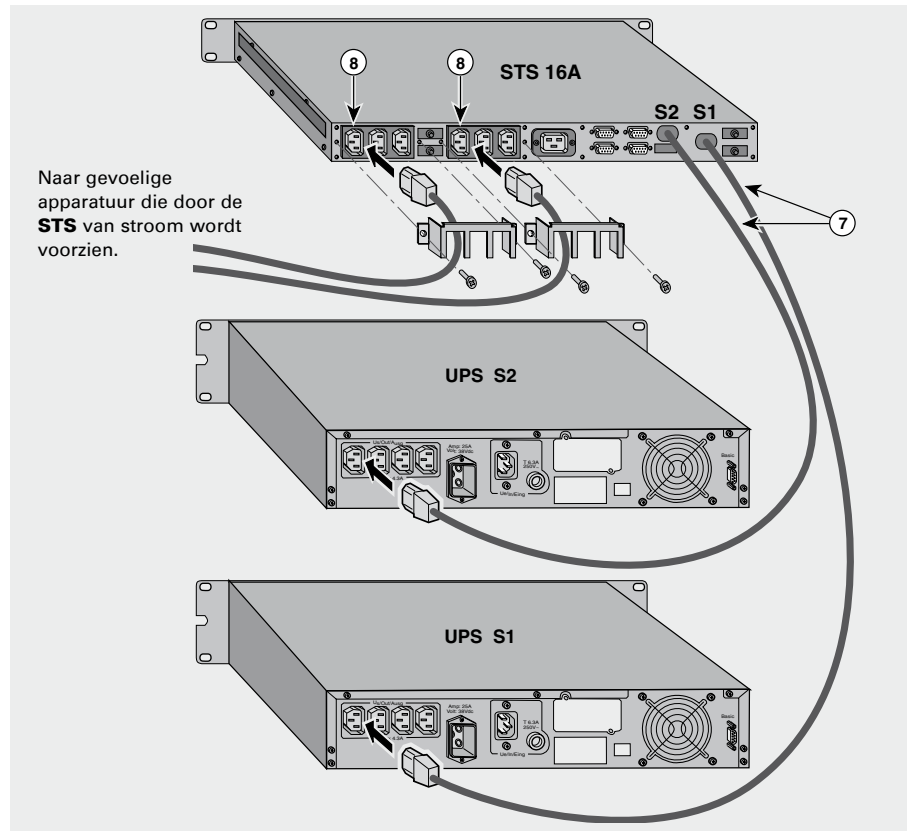


Fig. 6

Installatie

Communicatie

Het gebruik van de COM-poorten van de **STS** is optioneel en niet noodzakelijk voor een goede werking van het apparaat.

De **STS** is standaard uitgerust met een "Basic" COM-poort die de informatie afkomstig van de twee stroomvoorzieningen S1 en S2 (elke UPS moet een Basic-poort beschikbaar hebben), en van een eigen "STS COM"-poort groepeeret.

"Basic" communicatie

Bij een high availability uitvoering groepeeret de Basic **STS** COM-poort de informatie die geleverd wordt door de twee UPS-systemen S1 en S2. Om deze poort actief te maken moeten de COM-poorten UPS S1 en UPS S2 (door middel van de bij de **STS** geleverde kabels) worden aangesloten op de COM-poorten Basic van respectievelijk de UPS-systemen S1 en S2 (zie figuur 7).

De op de Basic-poort van de **STS** beschikbare informatie is dezelfde als die van de Basic-poort van de UPS die de apparatuur van stroom voorziet.

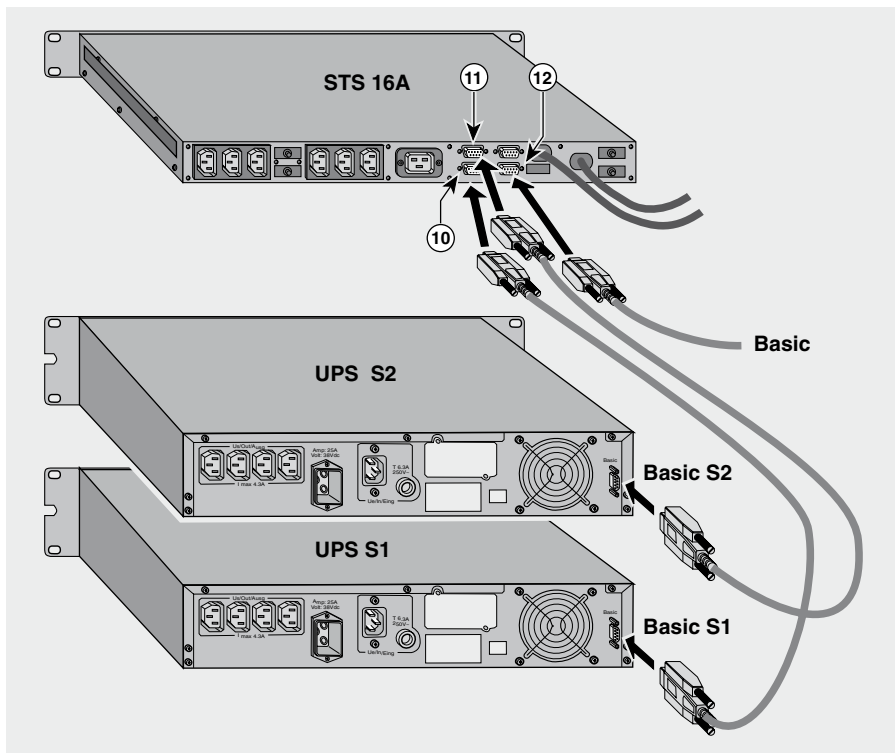


Fig. 7

Levert de Basic STS ⑫ de volgende informatie:

- pin 1: aarde,
- pin 4: normale werking,
- pin 5: gemeenschappelijke geleider,
- pin 6: werking op bypass,
- pin 7: vooralarm einde backuptijd accu,
- pin 8: werking op UPS,
- pin 9: werking op accu.

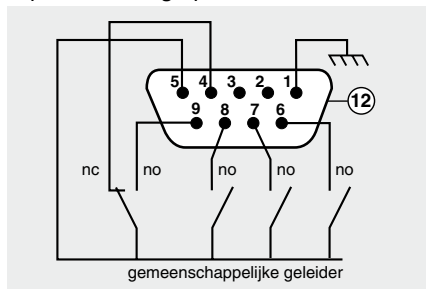


Fig. 8

UPS met "Protocol Interface" (optioneel)

Met de "Protocol Interface" kan informatie van het type Basic worden omgezet naar serieel RS-232 protocol, waardoor alle beheer- en uitschakelmogelijkheden van de **Solution Pac** software gebruikt kunnen worden.

"MultiSlot" (optioneel)

De **MultiSlot**-oplossingen maken één geheel van uw **STS** en de twee UPS-systemen. **MultiSlot**, uitgerust met twee MetaUPS-verwervingskaarten, groepeerde de informatie afkomstig van de U-Talk-poorten van de twee UPS-systemen, en van de STS COM-poort van de STS. Het gebruik van een U-Talk-, J-Bus- of SNMP-communicatiekaart maakt een optimale communicatie met de beveiligde systemen mogelijk.

In uw geval stopt uw toepassing pas bij volledige afwezigheid van energie, dat wil zeggen als de accu's van beide UPS-systemen volledig leeg zijn. Zie voor het aansluiten de **MultiSlot**-gebruikershandleiding.

"STS COM" communicatie

Deze COM-poort ⑬ levert statusinformatie over de **STS**.

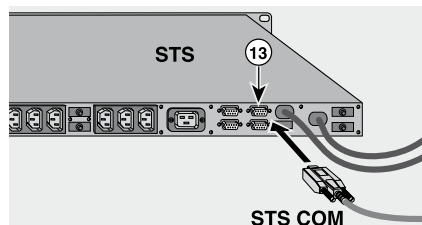


Fig. 9

Pinnen van de "STS COM"-poort:

- pin 1: aarde,
- pin 4: stroomvoorziening S2 primair,
- pin 5: gemeenschappelijke geleider,
- pin 6: stroomvoorziening S1 binnen tolerantie,
- pin 7: stroomvoorziening S2 binnen tolerantie,
- pin 8: geen storing op de STS,
- pin 9: stroomvoorziening S1 primair.

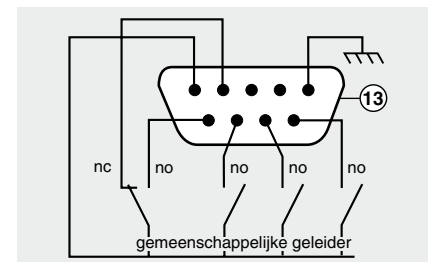


Fig. 10

Uitschakelvermogen van de relais:
 $V_{max} = 30 \text{ V}$
 $I_{max} = 100 \text{ mA}$

no = normaal open
 nc = normaal gesloten

Gebruik

We gaan uit van een situatie waarin stroomvoorziening S1 primair is (knop ② in hoge stand).

De LED's ① geven het spanningsniveau van de stroomvoorzieningen S1 en S2 aan:

- de LED's branden groen binnen het tolerantiegebied van $\pm 12\%$ van de nominale waarde
- de LED's branden rood buiten dit tolerantiegebied.

De LED's ③ geven aan welke stroomvoorziening in bedrijf is:

- de LED op het kanaal van de stroomvoorziening die niet gebruikt wordt is uit
- de LED op het kanaal van de primaire voeding brandt groen als deze in bedrijf is
- de LED op het kanaal van de noodvoeding brandt geel als deze in bedrijf is.

Uw toepassingen worden van stroom voorzien als één van deze twee LED's brandt.

LED ④ gaat rood branden in geval van een interne storing in de **STS**: neem contact op met de servicedienst van EATON.

Naast de LED's is er een **buzzer** ⑥ voorzien die overgaat in de volgende gevallen:

- stroomvoorziening S1 of stroomvoorziening S2 buiten tolerantie

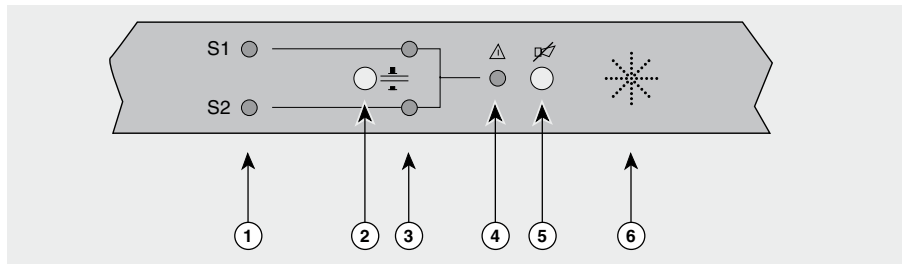


Fig. 11

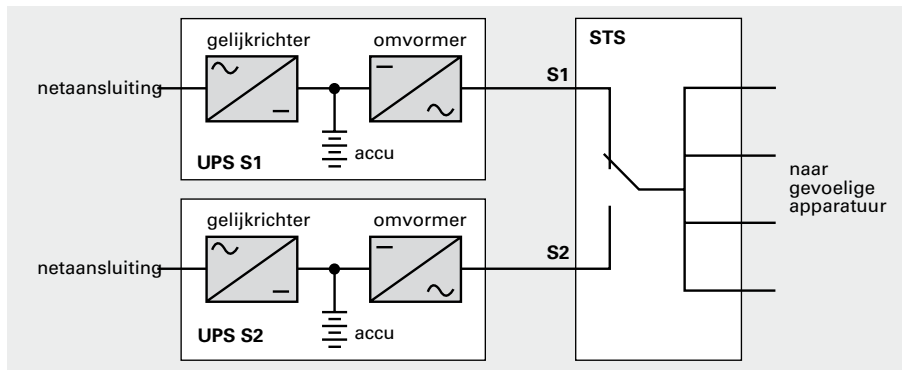


Fig. 12

- interne storing in de **STS**.

Na het opsporen van de storing wordt de buzzer afgezet door op drukknop ⑤ te drukken.

N.B.: om stroomvoorziening S2 primair te maken (bijvoorbeeld voor service op stroomvoorziening S1), drukt u op knop ②.

Storingen verhelpen

Signalering	Storingen	Oplossingen
Alle LED's op het voorpaneel van de STS zijn uit.	De stroomvoorzieningen S1 en S2 zijn afwezig.	Controleer de status van de stroomvoorzieningen S1 en S2. Reset de stroomonderbrekers ⑮ aan de achterzijde van de STS (als de storing niet voortduurt).
Eén van de LED's ① die de aanwezigheid van een stroomvoorziening signaleren brandt rood. En de rode storings-LED ④ is uit.	De betreffende stroomvoorziening is afwezig of buiten tolerantie.	Controleer de status van de betreffende stroomvoorziening. Reset de stroomonderbreker ⑮ aan de achterzijde van de STS .
Op de STS 16 branden de twee LED's ① die de aanwezigheid van een stroomvoorziening signaleren groen. De rode storings-LED ④ is uit en de toepassing krijgt geen stroom.	Overbelasting op de uitgangen.	Reset de stroomonderbrekerr ⑨.
De rode storings-LED ④ brandt.	Interne storing in de STS .	Neem contact op met de servicedienst.
De rode LED ⑯ brandt.	Energiebronnen gedesynchroniseerd. Dit leidt tot voortijdige slijtage van de schakelementen van de STS .	Controleer uw installatie.

Bijlagen

Woordenlijst

Basic: protocol voor uitwisseling van statusinformatie over de stroomvoorzieningen S1 en S2,

Gevoelige apparatuur: apparatuur die door de **STS** van stroom wordt voorzien en beveiligd,

Keuzeschakelaar: geheel van 8 schakelaars voor het instellen van de voedingsspanning van de **STS**,

Noodvoeding: stroomvoorziening S1 of S2 van de **STS** die door middel van knop ② gekozen werd als noodvoeding,

9-pins sub-D-connector: type connector met 9 pinnen die gebruikt wordt voor communicatiesignalen,

Primaire voeding: stroomvoorziening S1 of S2 van de **STS** die door middel van knop ② gekozen werd als primaire voeding,

STS Com: protocol voor uitwisseling van statusinformatie over de **STS** via potentiaalvrije contacten,

UPS: Uninterruptible Power Supply (ononderbroken stroomvoorziening),

Werking op bypass: stroomvoorziening S1 of S2 levert de netspanning waar hij op aangesloten is,

Werking op UPS: stroomvoorziening S1 of S2 levert de ononderbroken spanning die door de UPS verzorgd wordt.

Index

Beschrijving van onderdelen:	73
Buzzer (werking en afzetten):	75, 82
Geleverde communicatie-informatie:	80
Keuze van primaire voeding:	75, 82
Keuzeschakelaar voor instellen van de voedingsspanning:	75, 77
LED's (betekenis):	75, 82
Rek (installatie in):	78
Stroomonderbrekers (reset):	75, 83
UPS:	74, 79
Verpakking:	73
Voedingsspanning (technische specificaties):	74
Waarschuwingen (⚠):	72, 77-78
Zelfklevende pootjes:	78



Powering Business Worldwide