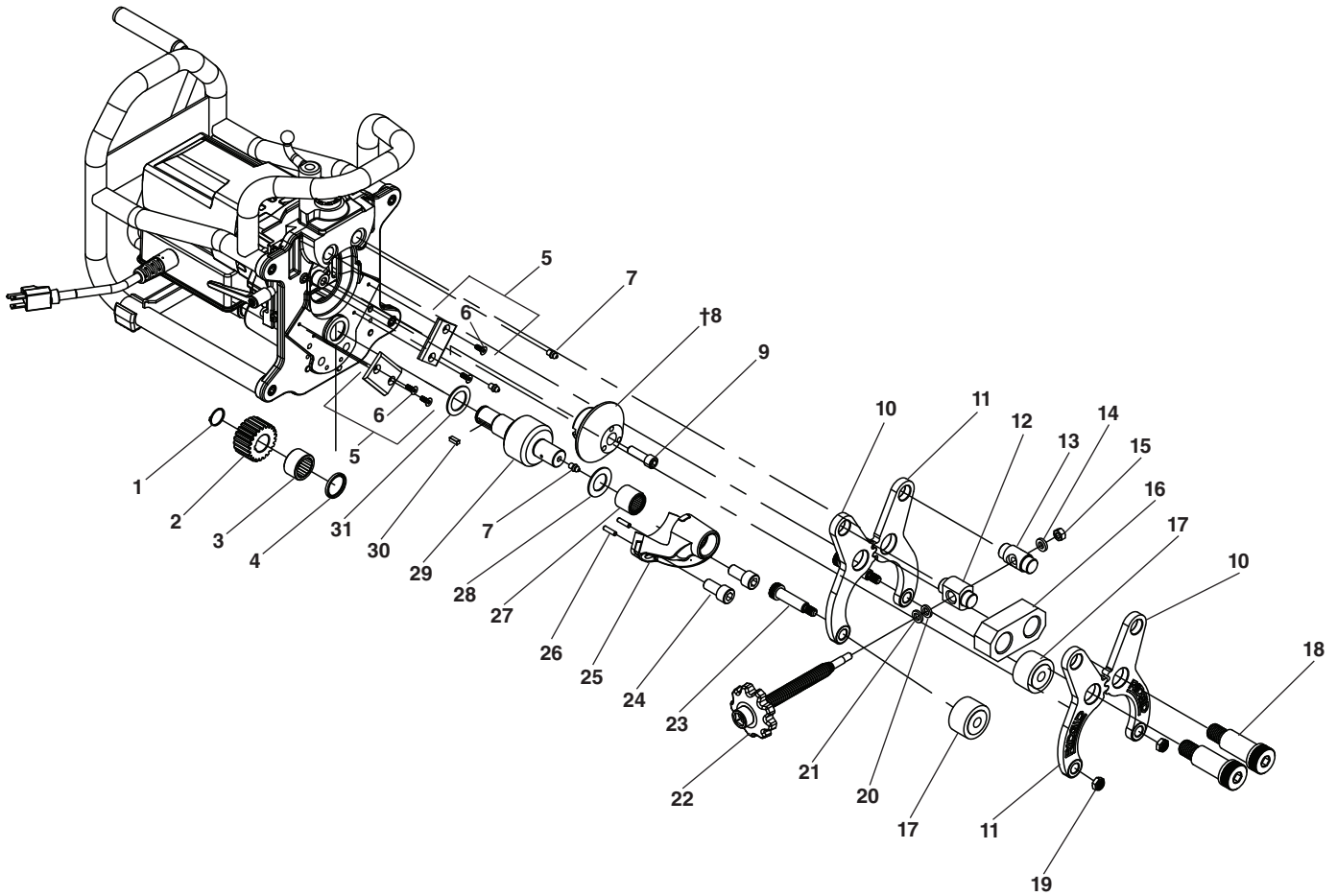


Main Components

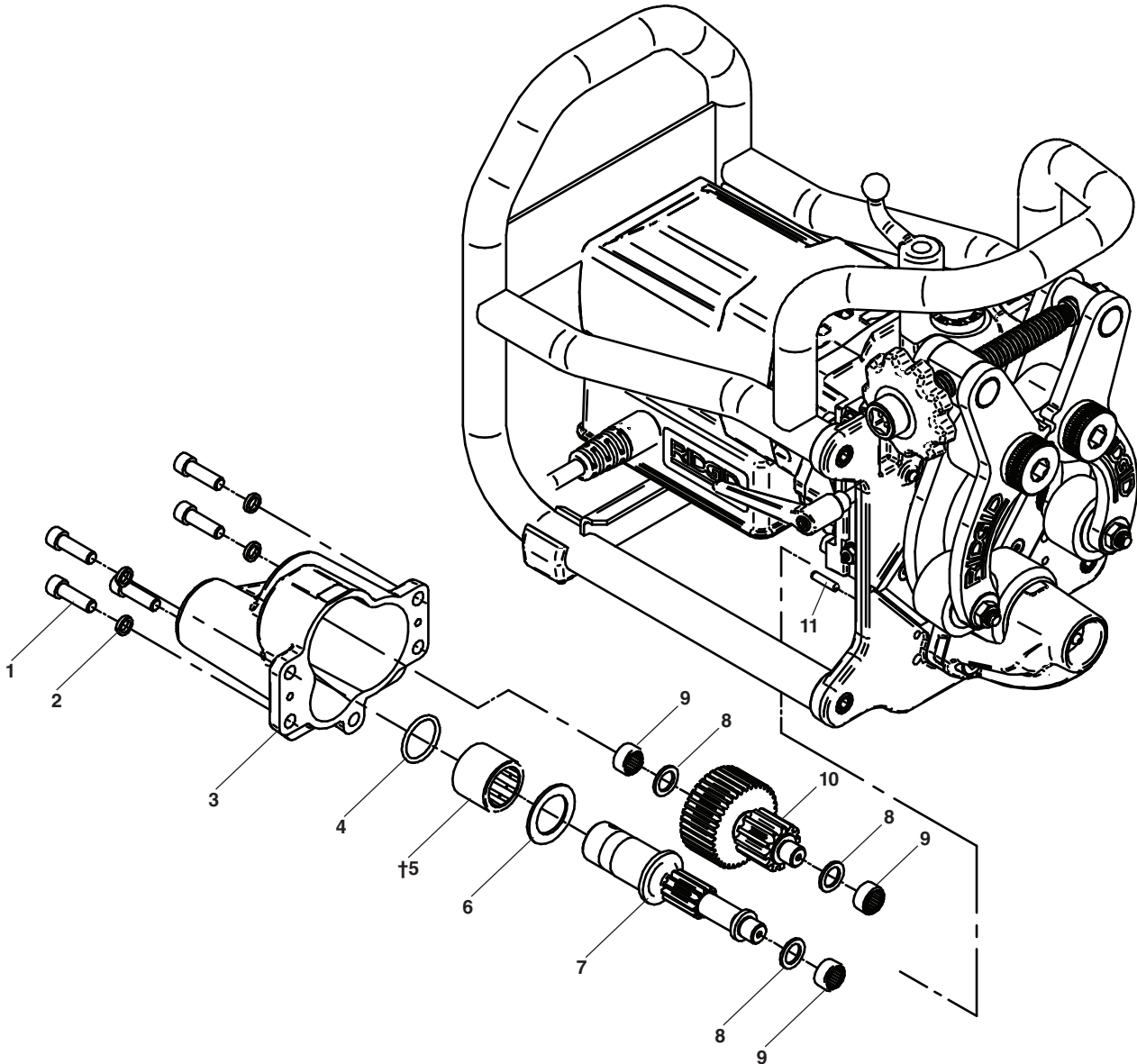


**NOTE: Order parts by Catalog Number only.
DO NOT order by Reference Number.**

Ref. No.	Catalog No.	Description	Ref. No.	Catalog No.	Description
1	93852	Retaining Ring Pkg 4 (1)	17	50413	Grip Roll
2	50473	Hand Crank Drive Roll Gear	18	50528	Shoulder Screw 1" x 2" (2)
3	50533	Roller Bearing	19	50653	Heavy Jam Nylon Lock Nut 5/8 - 16 (2)
4	50518	Seal 1 x 1.25 x .125	20	71782	Bronze Thrust Washer (1)
5	50618	Wear Plate Set w/Screws	21	71777	Steel Thrust Washer (1)
6	52447	Screw 10-24 x 1/2 FHC (4)	22	50628	Clamp Screw w/Knob
7	89810	Grease Fitting (3)	23	50418	Shoulder Screw 1/2 x 1.75 (2)
†8	48863	Cutter Head w/Inserts 37.5 deg	24	93857	Screw 1/2 - 13 x 1 SHC Pkg 3 (2)
	48858	Cutter Head w/Inserts 30 deg	25	50508	Drive Roll Support
	48868	Cutter Head w/Inserts 45 deg	26	47282	Dowel Pin .188 Dia x .75 L (2)
9	50563	Screw 3/8-24 x 1.25 SHC	27	93877	Needle Bearing
10	50768	Swingarm Set RH	28	93515	Thrust Washer (1)
11	50763	Swingarm Set LH	29	50423	Drive Roll
12	50403	Pivot Nut	30	46930	Square Key 3/16 x 1/2 (1)
13	50408	Pivot Pin	31	50523	Bronze Thrust Washer (1)
14	18983	Washer M8 Class 4 (1)	Items Not Shown		
15	18978	Locknut 5/8 - 18 UNC (1)	48878	Insert Screws w/Anti Seize Pkg 6 (6)	
16	50398	Swingarm Spacer			

†Service Note: Ref. No. 8 - Only 6 screws are used on the cutter head for inserts. 2 additional are supplied as extras. Torque insert screws to 30-35 in-lbs.

Hand Crank Gearbox

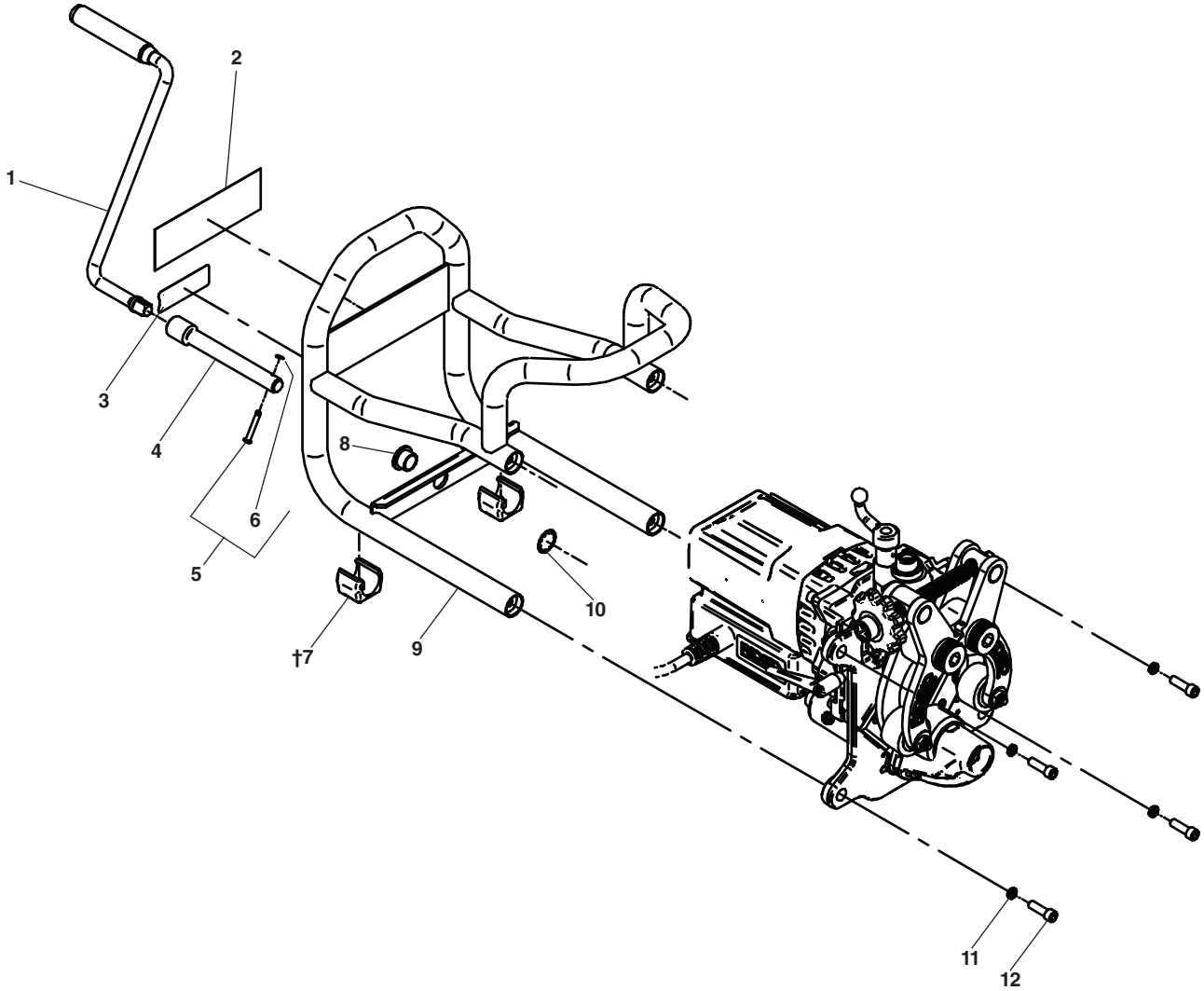


**NOTE: Order parts by Catalog Number only.
DO NOT order by Reference Number.**

Ref. No.	Catalog No.	Description
1	44590	Screw SHC $\frac{3}{16}$ - 18 x 1 Pkg 5 (5)
2	95837	Hicollar Lock Washer $\frac{3}{16}$ " Pkg 5 (5)
3	50488	Hand Crank Gearbox
4	50638	O-Ring (1)
†5	50548	Clutch Roller Bearing
6	50523	Bronze Thrust Washer (1)
7	50483	Input Pinion Shaft
8	50388	Thrust Bearing
9	93777	Needle Roller Bearing Pkg 3 (3)
10	50478	Intermediate Gear
11	47282	Dowel Pin .188 x .75 Pkg 5 (2)

†Service Note: Ref. No. 5 - Install bearing with print side out.

Frame Assembly

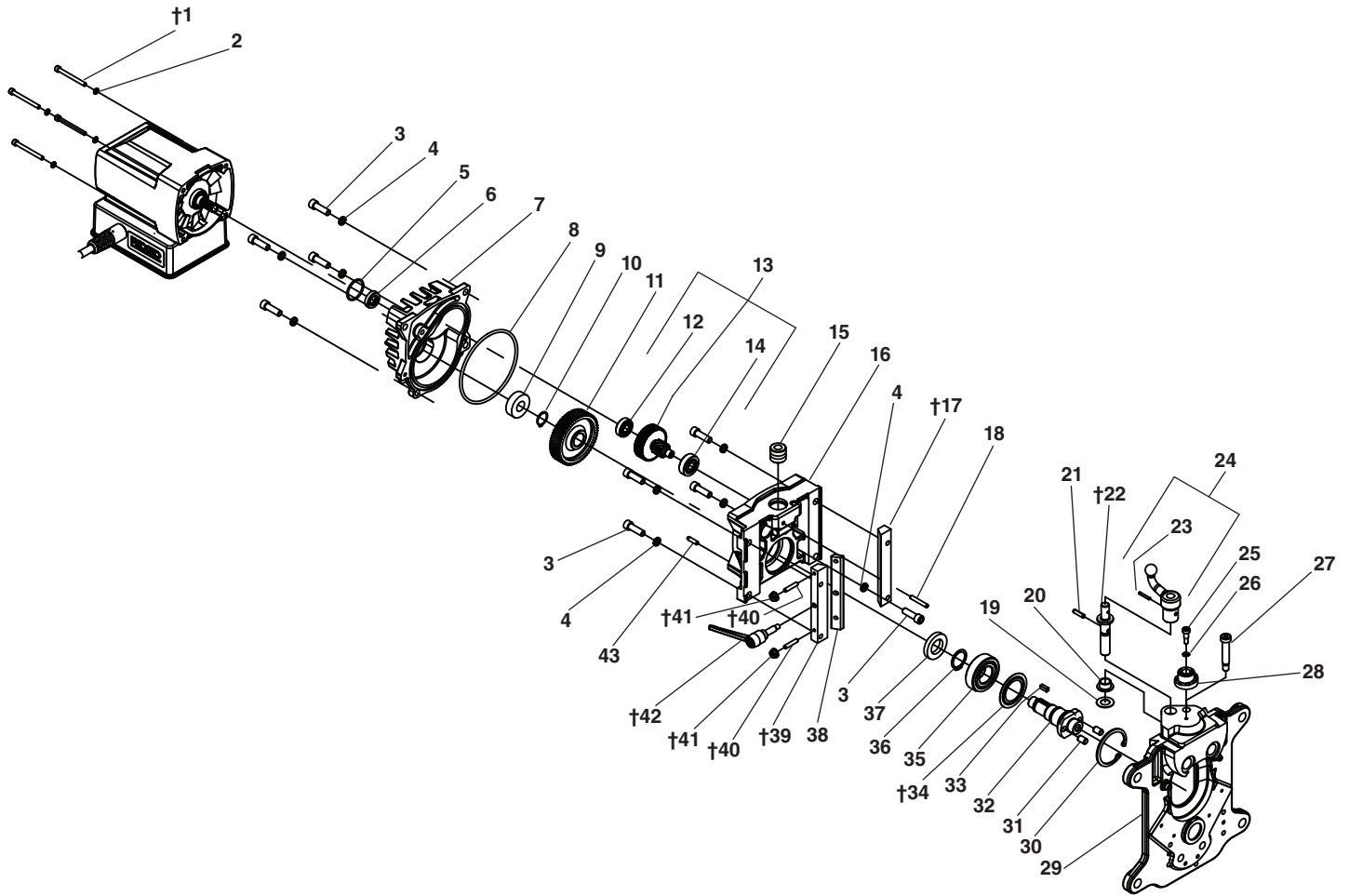


**NOTE: Order parts by Catalog Number only.
DO NOT order by Reference Number.**

Ref. No.	Catalog No.	Description
1	50633	Drive Crank Asm ½"
2	19533	RIDGID® Decal
3	50558	QR Code Label
4	50623	Drive Shaft ½"
5	50583	Clevis Pin w/Ring (Shear)
6	33830	Retaining Ring (1)
†7	50588	Frame Foot (2)
8	94652	Flange Bearing
9	50503	Frame
10	50553	Retaining Ring
11	95837	Hicollar Lock Washer ⅜" Pkg 5 (4)
12	44590	Screw ⅜" - 18 x 1 SHC Pkg 5 (4)

†Service Note: Ref. No. 7 - Apply Loctite 495 to inside of foot.

Motor Gearbox



**NOTE: Order parts by Catalog Number only.
DO NOT order by Reference Number.**

Ref. No.	Catalog No.	Description	Ref. No.	Catalog No.	Description
†1	10923	Screw, 10-24 x 2 SHC Pkg 6 (4)	23	50598	HD Coiled Pin 1/8 x 3/4
2	58542	Lock Washer #10 Pkg 5 (4)	24	50593	Feedscrew Handle w/Pin
3	44590	Screw 3/16-18 x 1 SHC Pkg 5 (9)	25	87947	Shoulder Screw
4	95837	Hicollar Lock Washer 3/16" Pkg 5 (9)	26	87972	Wave Spring
5	77202	O-Ring 2mm x 28mm	27	50632	Shoulder Screw 3/8 x 1 1/2
6	77207	Grease Seal	28	50748	Landwidth Adjustment Gauge
7	50438	Motor Gear Housing	29	50393	Faceplate
8	50443	O-Ring	30	50543	Retaining Ring 52mm INT
9	65477	Bearing	31	50568	Dowel Pin .312 x .50 Pkg 2 (2)
10	77252	Retaining Ring	†32	50453	Cutter Spindle
11	50448	Cutter Output Gear	33	46930	Square Key 3/16 x 1/2
12	58522	Bearing	†34	50608	Bearing Shield
13	50658	Intermediate Gear Shaft Assembly	35	45315	Bearing .9843 ID x.5906L
14	44760	Bearing	36	50538	Retaining Ring 25mm EXT
15	50613	Insert 1/2-13 UNC LH	37	50493	Seal .875 x 1.50 x .25
16	50433	Motor Gear Housing for Rails	38	50458	Gib Plate
†17	50468	Dovetail Slide	†39	50463	Gib Plate Slide
18	76735	Spring Pin 1 1/4 x 3/8 (1)	†40	50758	Cone Point Set Screw #10-32 x 1 Pkg 2 (2)
19	93782	Thrust Washer	†41	50648	Flange Nut #10-32 Pkg 2 (2)
20	50513	Flange Bearing	†42	50603	Gib Lock Handle Assembly
21	51728	HD Coiled Pin 3/8 x 3/4 (1)	43	47282	Dowel Pin .188 x .75 (2)
†22	50498	Cutter Feedscrew			

†Service Notes: Ref. No. 1 - Torque to 20-25 in-lbs.

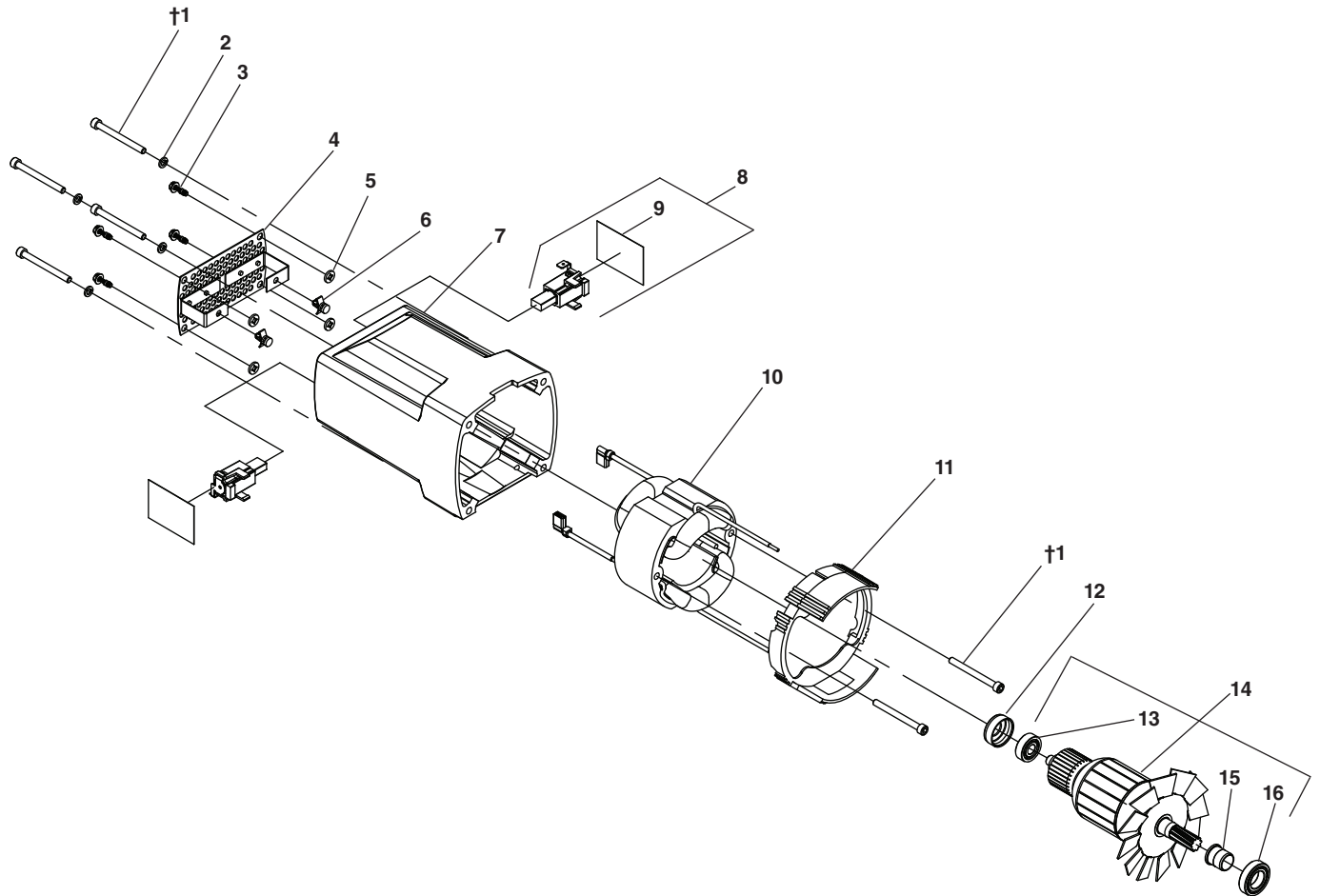
Ref. No's 17, 22, 39, 42 - Apply thin film of general purpose grease to contact surfaces.

Ref. No. 34 - Install concave side of shield towards bearing Ref 35.

Ref. No. 40 - Tighten until it binds, then loosen 1/2 turn. Hold position while tightening Ref 41 to torque spec.

Ref. No. 41 - Torque to 30-35 in-lbs.

Motor Assembly

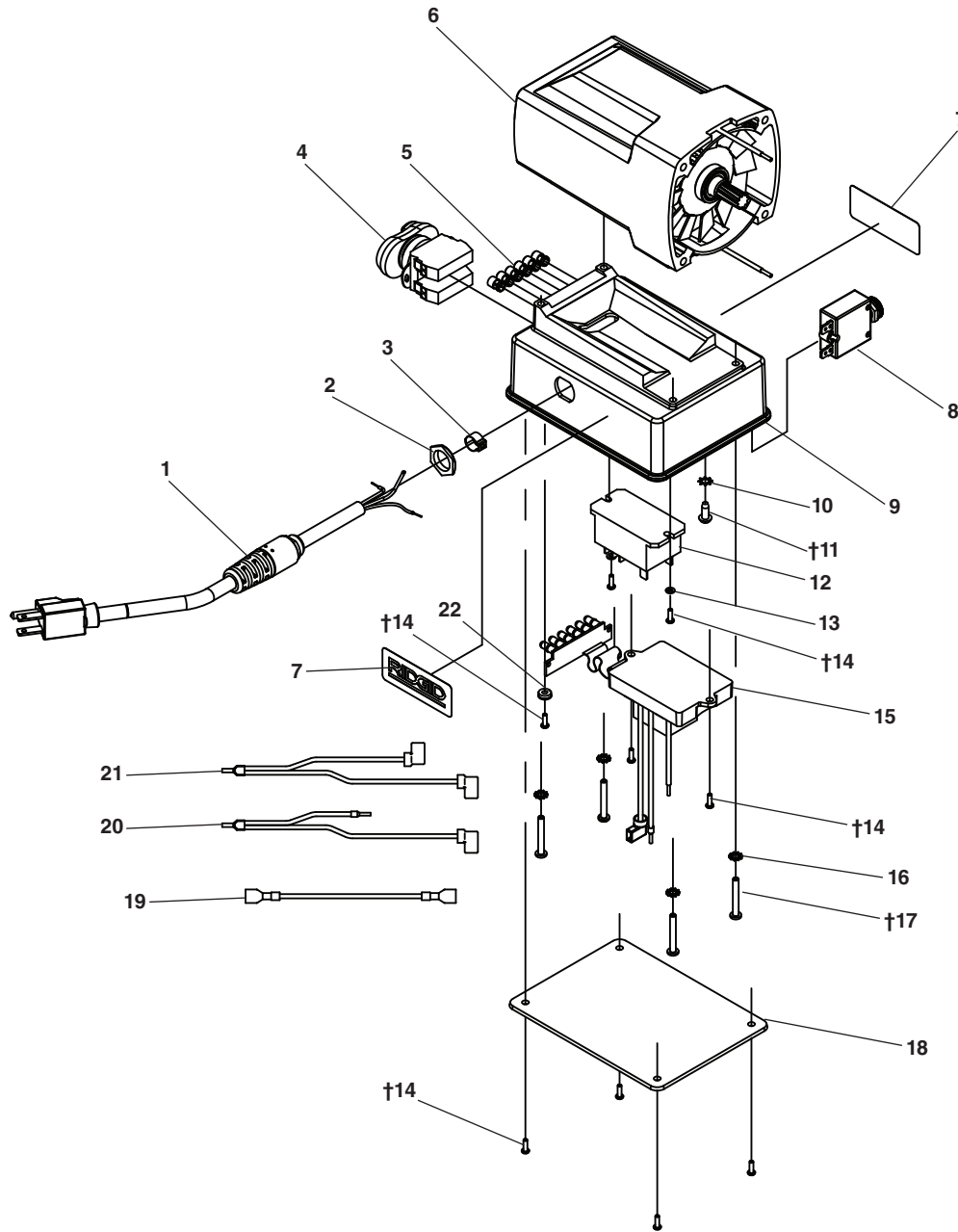


**NOTE: Order parts by Catalog Number only.
DO NOT order by Reference Number.**

Ref. No.	Catalog No.	Description
	50428	Motor ASM 115V
	55223	Motor ASM 230V
	55288	Motor ASM 110V UK
†1	10923	Screw, 10-24 X 2 SHC Pkg 6 (6)
2	58542	Lock Washer #10 Pkg 5
3	10908	Screw, 8-32 X .5 Self Tapping Pkg 4 (4)
4	10913	Motor Housing Cover
5	55243	Nylon Retaining Washer #8 Pkg 5 (4)
6	55238	Standoff, Set of 2 (2)
7	50718	Motor Housing
8	34078	Brush Set Assembly 110V/115V (2)
	34083	Brush Set Assembly 230V (2)
9	39003	Insulator Shield Pkg 2 (2)
10	50713	Field 115V
	55233	Field 230V
	55293	Field 110V UK
11	35328	Fan Shroud
12	42777	Rubber Sleeve
13	43017	Ball Bearing .315ID X .276LG
14	50708	Armature Assembly 115V/110V UK
	55228	Armature Assembly 230V
15	77227	Armature Sleeve
16	77232	Sealed Ball Bearing

†Service Note: Ref. No. 1 - Torque to 20-25 in-lbs.

Electronics 115V

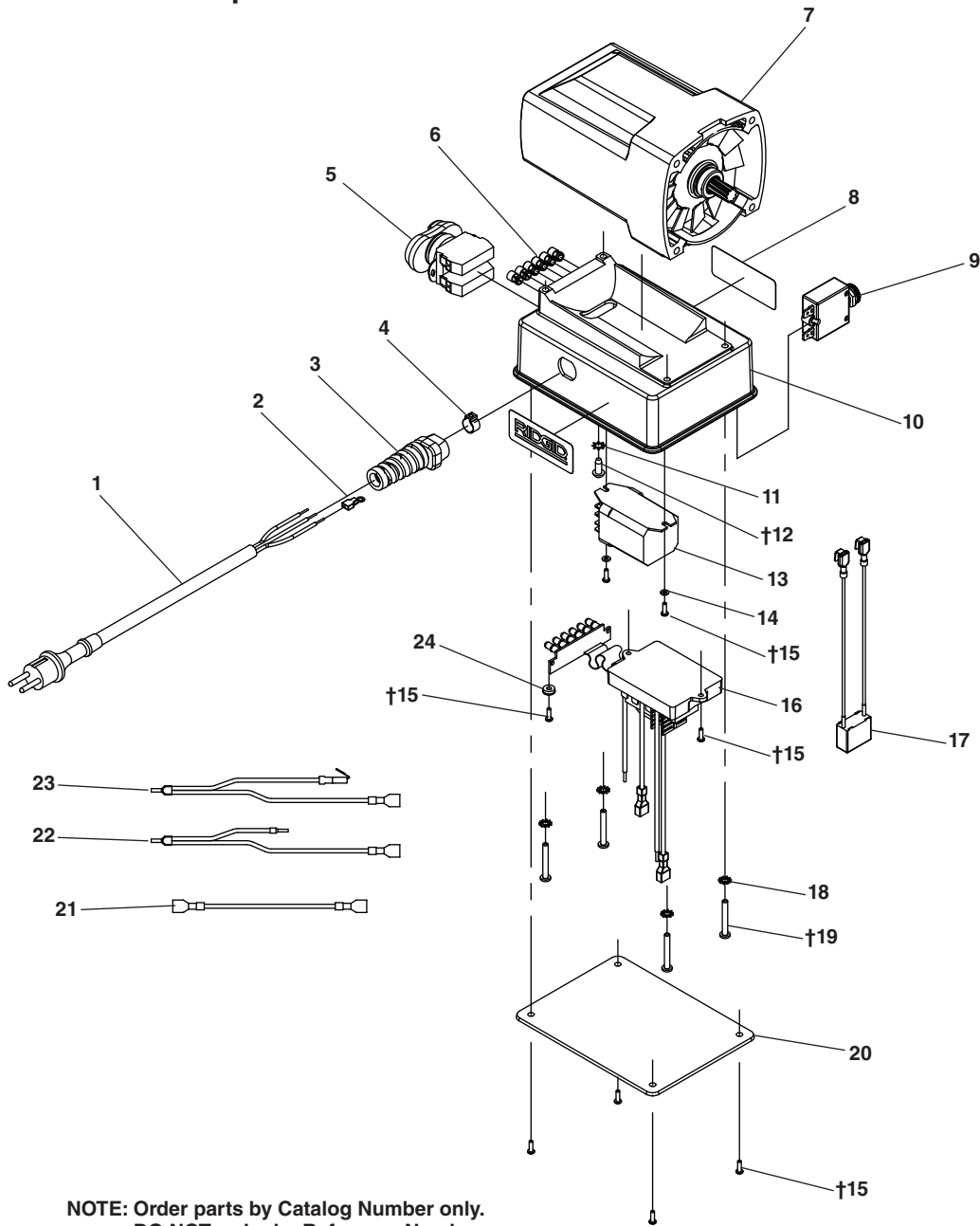


**NOTE: Order parts by Catalog Number only.
DO NOT order by Reference Number.**

Ref. No.	Catalog No.	Description	Ref. No.	Catalog No.	Description
	50773	Electronics Box Complete w/o Motor	12	50698	Relay 120VAC 30A
1	31938	Power Cord 115V	13	90817	Narrow Washer #4 Type B Pkg 4 (2)
2	50673	Strain Relief Nut 3/8" NPT	†14	50778	Plastite Screw #4-20 x 3/8" Pkg 4 (10)
3	50668	Ear Clamp	15	50663	PCB Assembly
4	50678	Switch	16	85945	External Tooth Lock Washer (4)
5	50683	LED Clear Lens Pkg 6 (6)	†17	50753	Screw #8 x 1 1/4 Type B SS Pkg 4 (4)
6	50428	Motor ASM 115V	18	50693	Electronics Box Lid
7	50643	RIDGID Label Pkg 2	19	50743	Single Wire
8	58962	Circuit Breaker 15A	20	50738	Double Wire Single 90
9	50688	Electronics Box	21	50733	Double Wire Double 90
10	46985	External Tooth Washer Pkg 5 (1)	22	50703	Neoprene Backed Washer #6 Pkg 2 (2)
†11	45275	Grounding Screw #10-24 x 1/2 PH Pkg 5 (1)			

†Service Note: Ref. No. 11 - Torque to 20-25 in-lbs.
Ref. No. 14 - Torque to 4-5 in-lbs.
Ref. No. 17 - Torque to 15-20 in-lbs.

Electronics 230V Europe

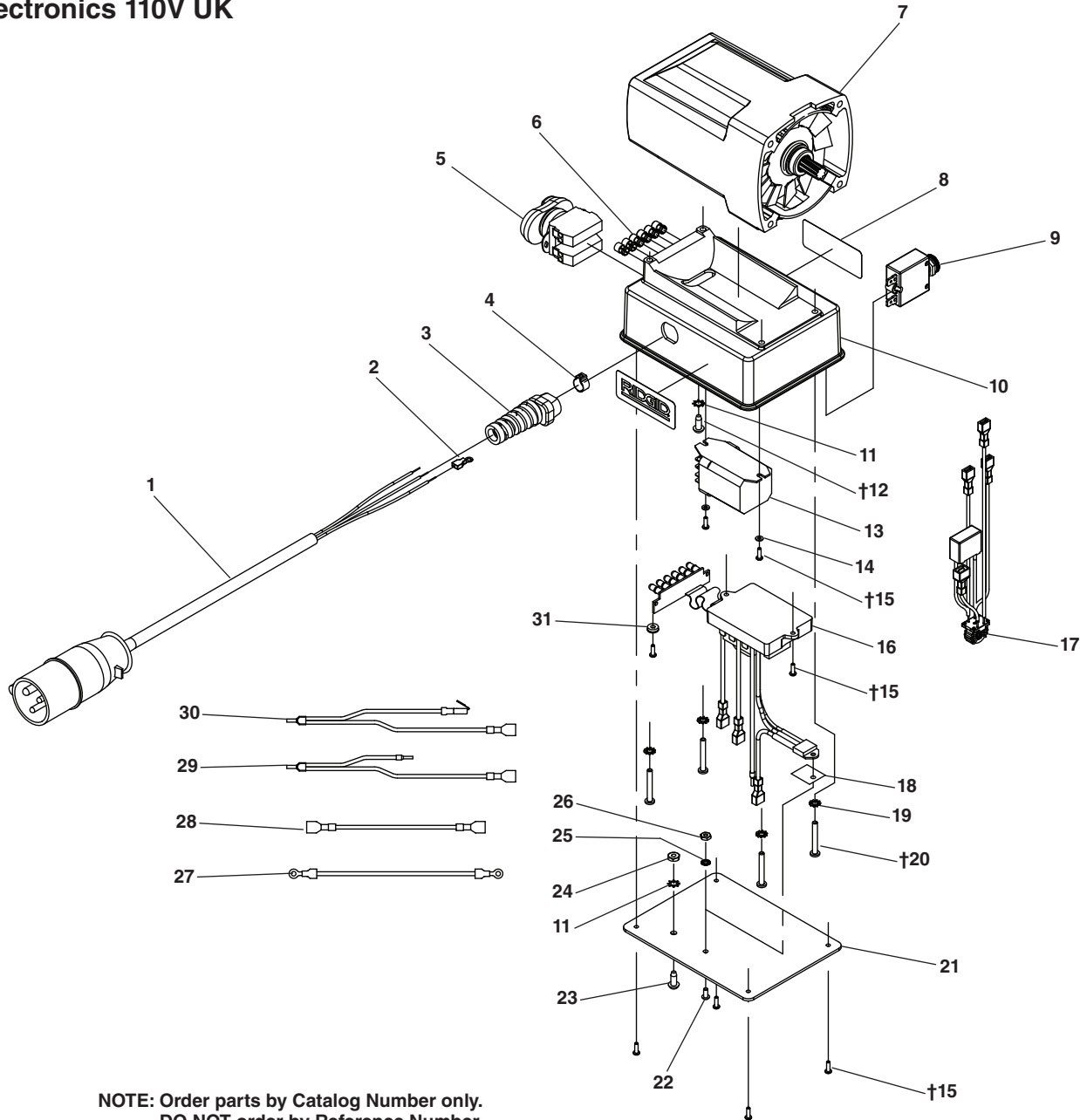


**NOTE: Order parts by Catalog Number only.
DO NOT order by Reference Number.**

Ref. No.	Catalog No.	Description	Ref. No.	Catalog No.	Description
	55248	Electronics Box Complete w/o Motor	13	55258	Relay 230VAC 16A
1	39562	Power Cord 230V	14	90817	Narrow Washer #4 Type B Pkg 4
2	83895	Ring Terminal 16-14 #6	†15	50778	Plastite Screw #4-20 x 3/8" Pkg 4
3	55268	Strain Relief Pigtail	16	55253	PCB Assembly 230V
4	50668	Ear Clamp	17	55283	Capacitor
5	50678	Switch	18	85945	External Tooth Lock Washer (4)
6	50683	LED Clear Lens	†19	50753	Screw #8 x 1 1/4 Type B SS Pkg 4
7	55223	Motor ASM 230V	20	50693	Electronics Box Lid
8	50643	RIDGID Label Pkg 2	21	50743	Single Wire (2)
9	55263	Circuit Breaker 8A	22	55273	Double Wire w/piggyback
10	50688	Electronics Box	23	55278	Double Wire
11	46985	External Tooth Washer Pkg 5	24	50703	Neoprene Backed Washer #6 Pkg 2
†12	45275	Grounding Screw #10-24 x 1/2 PH Pkg 5			

†Service Note: Ref. No. 12 - Torque to 20-25 in-lbs.
Ref. No. 15 - Torque to 4-5 in-lbs.
Ref. No. 19 - Torque to 15-20 in-lbs.

Electronics 110V UK



**NOTE: Order parts by Catalog Number only.
DO NOT order by Reference Number.**

Ref. No.	Catalog No.	Description	Ref. No.	Catalog No.	Description
	55298	Electronics Box Complete w/o Motor	16	55303	PCB Assembly
1	45022	Power Cord 110V UK	17	55843	Filter Assembly 110V UK
2	83895	Ring Terminal 16-14 #6	18	55648	Thermal Pad
3	55268	Strain Relief Pigtail	19	85945	External Tooth Lock Washer #8 (4)
4	50668	Ear Clamp	†20	50753	Screw #8 x 1 1/4" Type B SS Pkg 4
5	50678	Switch	21	55653	Electronics Box Lid Aluminum
6	50683	LED Clear Lens	22	72167	Screw 6/32 x 5/16" Pkg 4
7	55288	Motor ASM 110V UK	23	45275	Screw 10-24 x 1/2" PH Pkg 5
8	50643	RIDGID Label Pkg 2	24	44695	Hex Nut 10-24 Pkg 5
9	58962	Circuit Breaker 15A	25	94297	External Tooth Lock Washer #6 Pkg of 5
10	50688	Electronics Box	26	94307	Hex Nut #6-32 Pkg 5
11	46985	External Tooth Washer Pkg 5	27	55658	Single Wire Grn/Yel w/rngs
†12	45275	Grounding Screw #10-24 x 1/2" PH Pkg 5	28	50743	Single Wire Blk w/fem
13	55308	Relay 120VAC 30A	29	55278	Double Wire
14	90817	Narrow Washer #4 Type B Pkg 4	30	55273	Double Wire w/piggyback
†15	50778	Plastite Screw #4-20 x 3/8" Pkg 4	31	50703	Neoprene Backed Washer #6 Pkg 2

†Service Note: Ref. No. 12 - Torque to 20-25 in-lbs.
Ref. No. 15 - Torque to 4-5 in-lbs.
Ref. No. 20 - Torque to 15-20 in-lbs.

Wiring Diagrams

